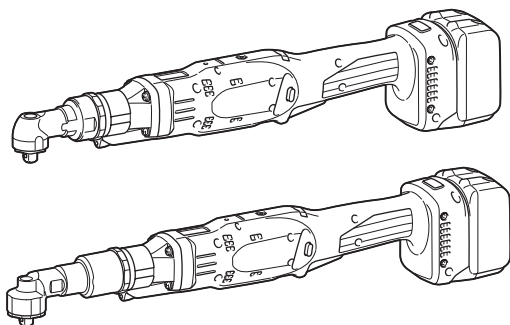


INSTRUCTION MANUAL  
MANUEL D'INSTRUCTION  
MANUAL DE INSTRUCCIONES



# Cordless Angle Nut Runner Clé d'Angle Sans Fil Atornillador Angular Inalámbrico

DFL083F  
DFL125F  
DFL204F  
DFL302F  
DFL403F



**IMPORTANT:** Read Before Using.

**IMPORTANT :** Lire avant usage.

**IMPORTANTE:** Lea antes de usar.

# SPECIFICATIONS

Model:		DFL083F	DFL125F	DFL204F	DFL302F	DFL403F
Fastening torque	Hard joint	2 - 8 N•m (18 - 71 in•lbs)	5 - 12 N•m (44 - 106 in•lbs)	8 - 20 N•m (71 - 177 in•lbs)	16 - 30 N•m (142 - 266 in•lbs)	25 - 40 N•m (221 - 354 in•lbs)
	Soft joint	2 - 8 N•m (18 - 71 in•lbs)	5 - 12 N•m (44 - 106 in•lbs)	8 - 20 N•m (71 - 177 in•lbs)	16 - 30 N•m (142 - 266 in•lbs)	25 - 40 N•m (221 - 354 in•lbs)
Square drive		9.5 mm (3/8") or 6.35 mm (1/4")		9.5 mm (3/8")		
No load speed (RPM) **		150 - 700 /min	100 - 700 /min	100 - 440 /min	70 - 230 /min	50 - 220 /min
Rated voltage		D.C. 14.4 V				
Overall length (Depending on the battery)		464 - 481 mm (18-1/4" - 19")			503 - 520 mm (19-3/4" - 20-1/2")	
Net weight		1.7 - 2.1 kg (3.7 - 4.7 lbs)			2.0 - 2.3 kg (4.3 - 5.1 lbs)	
Applicable USB cable		661432-2				

- Due to our continuing program of research and development, the specifications herein are subject to change without notice.
- Specifications may differ from country to country.
- The weight may differ depending on the attachment(s), including the battery cartridge. The lightest and heaviest combination, according to EPTA-Procedure 01/2014, are shown in the table.
- \*\* No load speed is adjustable with exclusive application.

## Applicable battery cartridge and charger

Battery cartridge	BL1415NA / BL1430B / BL1460A
Charger	DC18RC / DC18RD / DC18SD / DC18SE / DC18SF

- Some of the battery cartridges and chargers listed above may not be available depending on your region of residence.

**⚠ WARNING: Only use the battery cartridges and chargers listed above.** Use of any other battery cartridges and chargers may cause injury and/or fire.

**NOTE:** This equipment has been tested and found to comply with the limits for a Class A digital device, pursuant to part 15 of the FCC Rules. These limits are designed to provide reasonable protection against harmful interference when the equipment is operated in a commercial environment. This equipment generates, uses, and can radiate radio frequency energy and, if not installed and used in accordance with the instruction manual, may cause harmful interference to radio communications. Operation of this equipment in a residential area is likely to cause harmful interference in which case the user will be required to correct the interference at his own expense.

# SAFETY WARNINGS

## General power tool safety warnings

**⚠ WARNING: Read all safety warnings, instructions, illustrations and specifications provided with this power tool.** Failure to follow all instructions listed below may result in electric shock, fire and/or serious injury.

## Save all warnings and instructions for future reference.

The term "power tool" in the warnings refers to your mains-operated (corded) power tool or battery-operated (cordless) power tool.

### Work area safety

1. **Keep work area clean and well lit.** Cluttered or dark areas invite accidents.
2. **Do not operate power tools in explosive atmospheres, such as in the presence of flammable liquids, gases or dust.** Power tools create sparks which may ignite the dust or fumes.
3. **Keep children and bystanders away while operating a power tool.** Distractions can cause you to lose control.

### Electrical Safety

1. **Power tool plugs must match the outlet. Never modify the plug in any way. Do not use any adapter plugs with earthed (grounded) power tools.** Unmodified plugs and matching outlets will reduce risk of electric shock.
2. **Avoid body contact with earthed or grounded surfaces, such as pipes, radiators, ranges and refrigerators.** There is an increased risk of electric shock if your body is earthed or grounded.

3. **Do not expose power tools to rain or wet conditions.** Water entering a power tool will increase the risk of electric shock.
4. **Do not abuse the cord. Never use the cord for carrying, pulling or unplugging the power tool. Keep cord away from heat, oil, sharp edges or moving parts.** Damaged or entangled cords increase the risk of electric shock.
5. **When operating a power tool outdoors, use an extension cord suitable for outdoor use.** Use of a cord suitable for outdoor use reduces the risk of electric shock.
6. **If operating a power tool in a damp location is unavoidable, use a ground fault circuit interrupter (GFCI) protected supply.** Use of a GFCI reduces the risk of electric shock.
7. **Power tools can produce electromagnetic fields (EMF) that are not harmful to the user.** However, users of pacemakers and other similar medical devices should contact the maker of their device and/or doctor for advice before operating this power tool.

### Personal Safety

1. **Stay alert, watch what you are doing and use common sense when operating a power tool. Do not use a power tool while you are tired or under the influence of drugs, alcohol or medication.** A moment of inattention while operating power tools may result in serious personal injury.
2. **Use personal protective equipment. Always wear eye protection.** Protective equipment such as dust mask, non-skid safety shoes, hard hat, or hearing protection used for appropriate conditions will reduce personal injuries.
3. **Prevent unintentional starting. Ensure the switch is in the off-position before connecting to power source and/or battery pack, picking up or carrying the tool.** Carrying power tools with your finger on the switch or energising power tools that have the switch on invites accidents.
4. **Remove any adjusting key or wrench before turning the power tool on.** A wrench or a key left attached to a rotating part of the power tool may result in personal injury.
5. **Do not overreach. Keep proper footing and balance at all times.** This enables better control of the power tool in unexpected situations.
6. **Dress properly. Do not wear loose clothing or jewellery. Keep your hair, clothing and gloves away from moving parts.** Loose clothes, jewellery or long hair can be caught in moving parts.
7. **If devices are provided for the connection of dust extraction and collection facilities, ensure these are connected and properly used.** Use of dust collection can reduce dust-related hazards.
8. **Do not let familiarity gained from frequent use of tools allow you to become complacent and ignore tool safety principles.** A careless action can cause severe injury within a fraction of a second.
9. **Always wear protective goggles to protect your eyes from injury when using power tools. The goggles must comply with ANSI Z87.1 in the USA. It is an employer's responsibility to enforce the use of appropriate safety protective equipment by the tool operators and by other persons in the immediate working area.**

### Power tool use and care

1. **Do not force the power tool. Use the correct power tool for your application.** The correct power tool will do the job better and safer at the rate for which it was designed.
2. **Do not use the power tool if the switch does not turn it on and off.** Any power tool that cannot be controlled with the switch is dangerous and must be repaired.
3. **Disconnect the plug from the power source and/or remove the battery pack, if detachable, from the power tool before making any adjustments, changing accessories, or storing power tools.** Such preventive safety measures reduce the risk of starting the power tool accidentally.
4. **Store idle power tools out of the reach of children and do not allow persons unfamiliar with the power tool or these instructions to operate the power tool.** Power tools are dangerous in the hands of untrained users.
5. **Maintain power tools and accessories. Check for misalignment or binding of moving parts, breakage of parts and any other condition that may affect the power tool's operation. If damaged, have the power tool repaired before use.** Many accidents are caused by poorly maintained power tools.
6. **Keep cutting tools sharp and clean.** Properly maintained cutting tools with sharp cutting edges are less likely to bind and are easier to control.
7. **Use the power tool, accessories and tool bits etc. in accordance with these instructions, taking into account the working conditions and the work to be performed.** Use of the power tool for operations different from those intended could result in a hazardous situation.
8. **Keep handles and grasping surfaces dry, clean and free from oil and grease.** Slippery handles and grasping surfaces do not allow for safe handling and control of the tool in unexpected situations.
9. **When using the tool, do not wear cloth work gloves which may be entangled.** The entanglement of cloth work gloves in the moving parts may result in personal injury.

### Battery tool use and care

1. **Recharge only with the charger specified by the manufacturer.** A charger that is suitable for one type of battery pack may create a risk of fire when used with another battery pack.
2. **Use power tools only with specifically designated battery packs.** Use of any other battery packs may create a risk of injury and fire.
3. **When battery pack is not in use, keep it away from other metal objects, like paper clips, coins, keys, nails, screws or other small metal objects, that can make a connection from one terminal to another.** Shorting the battery terminals together may cause burns or a fire.
4. **Under abusive conditions, liquid may be ejected from the battery; avoid contact. If contact accidentally occurs, flush with water. If liquid contacts eyes, additionally seek medical help.** Liquid ejected from the battery may cause irritation or burns.

5. **Do not use a battery pack or tool that is damaged or modified.** Damaged or modified batteries may exhibit unpredictable behaviour resulting in fire, explosion or risk of injury.
6. **Do not expose a battery pack or tool to fire or excessive temperature.** Exposure to fire or temperature above 130 °C may cause explosion.
7. **Follow all charging instructions and do not charge the battery pack or tool outside the temperature range specified in the instructions.** Charging improperly or at temperatures outside the specified range may damage the battery and increase the risk of fire.

#### Service

1. **Have your power tool serviced by a qualified repair person using only identical replacement parts.** This will ensure that the safety of the power tool is maintained.
2. **Never service damaged battery packs.** Service of battery packs should only be performed by the manufacturer or authorized service providers.
3. **Follow instruction for lubricating and changing accessories.**
4. **Do not modify or attempt to repair the appliance or the battery pack except as indicated in the instructions for use and care.**

### Cordless screwdriver safety warnings

1. **Hold the power tool by insulated gripping surfaces, when performing an operation where the fastener may contact hidden wiring.** Fasteners contacting a "live" wire may make exposed metal parts of the power tool "live" and could give the operator an electric shock.
2. **Always be sure you have a firm footing.** Be sure no one is below when using the tool in high locations.
3. **Hold the tool firmly.**
4. **Keep hands away from rotating parts.**
5. **Do not touch the bit or the workpiece immediately after operation; they may be extremely hot and could burn your skin.**
6. **Always secure workpiece in a vise or similar hold-down device.**
7. **Make sure there are no electrical cables, water pipes, gas pipes etc. that could cause a hazard if damaged by use of the tool.**

### SAVE THESE INSTRUCTIONS.

**⚠ WARNING: DO NOT** let comfort or familiarity with product (gained from repeated use) replace strict adherence to safety rules for the subject product.

**MISUSE** or failure to follow the safety rules stated in this instruction manual may cause serious personal injury.

### Symbols

The followings show the symbols used for tool.

v	volts
— ---	direct current
n <sub>0</sub>	no load speed
.../min r/min	revolutions or reciprocation per minute

### Important safety instructions for battery cartridge

1. **Before using battery cartridge, read all instructions and cautionary markings on (1) battery charger, (2) battery, and (3) product using battery.**
2. **Do not disassemble or tamper with the battery cartridge.** It may result in a fire, excessive heat, or explosion.
3. **If operating time has become excessively shorter, stop operating immediately.** It may result in a risk of overheating, possible burns and even an explosion.
4. **If electrolyte gets into your eyes, rinse them out with clear water and seek medical attention right away.** It may result in loss of your eyesight.
5. **Do not short the battery cartridge:**
  - (1) **Do not touch the terminals with any conductive material.**
  - (2) **Avoid storing battery cartridge in a container with other metal objects such as nails, coins, etc.**
  - (3) **Do not expose battery cartridge to water or rain.**

**A battery short can cause a large current flow, overheating, possible burns and even a breakdown.**
6. **Do not store and use the tool and battery cartridge in locations where the temperature may reach or exceed 50 °C (122 °F).**
7. **Do not incinerate the battery cartridge even if it is severely damaged or is completely worn out.** The battery cartridge can explode in a fire.
8. **Do not nail, cut, crush, throw, drop the battery cartridge, or hit against a hard object to the battery cartridge.** Such conduct may result in a fire, excessive heat, or explosion.
9. **Do not use a damaged battery.**
10. **The contained lithium-ion batteries are subject to the Dangerous Goods Legislation requirements.** For commercial transports e.g. by third parties, forwarding agents, special requirement on packaging and labeling must be observed. For preparation of the item being shipped, consulting an expert for hazardous material is required. Please also observe possibly more detailed national regulations. Tape or mask off open contacts and pack up the battery in such a manner that it cannot move around in the packaging.

11. When disposing the battery cartridge, remove it from the tool and dispose of it in a safe place. Follow your local regulations relating to disposal of battery.
12. Use the batteries only with the products specified by Makita. Installing the batteries to non-compliant products may result in a fire, excessive heat, explosion, or leak of electrolyte.
13. If the tool is not used for a long period of time, the battery must be removed from the tool.
14. During and after use, the battery cartridge may take on heat which can cause burns or low temperature burns. Pay attention to the handling of hot battery cartridges.
15. Do not touch the terminal of the tool immediately after use as it may get hot enough to cause burns.
16. Do not allow chips, dust, or soil stuck into the terminals, holes, and grooves of the battery cartridge. It may result in poor performance or breakdown of the tool or battery cartridge.
17. Unless the tool supports the use near high-voltage electrical power lines, do not use the battery cartridge near high-voltage electrical power lines. It may result in a malfunction or breakdown of the tool or battery cartridge.
18. Keep the battery away from children.

## SAVE THESE INSTRUCTIONS.

**CAUTION:** Only use genuine Makita batteries. Use of non-genuine Makita batteries, or batteries that have been altered, may result in the battery bursting causing fires, personal injury and damage. It will also void the Makita warranty for the Makita tool and charger.

## Tips for maintaining maximum battery life

1. Charge the battery cartridge before completely discharged. Always stop tool operation and charge the battery cartridge when you notice less tool power.
2. Never recharge a fully charged battery cartridge. Overcharging shortens the battery service life.
3. Charge the battery cartridge with room temperature at 10 °C - 40 °C (50 °F - 104 °F). Let a hot battery cartridge cool down before charging it.
4. When not using the battery cartridge, remove it from the tool or the charger.
5. Charge the battery cartridge if you do not use it for a long period (more than six months).

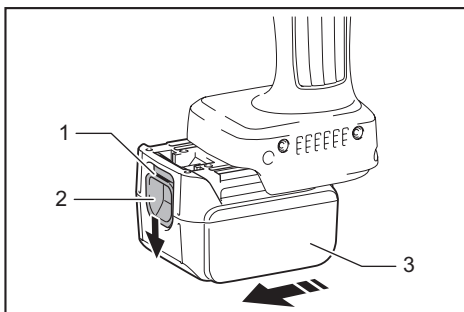
## FUNCTIONAL DESCRIPTION

**CAUTION:** Always be sure that the tool is switched off and the battery cartridge is removed before adjusting or checking function on the tool.

### Installing or removing battery cartridge

**CAUTION:** Always switch off the tool before installing or removing of the battery cartridge.

**CAUTION:** Hold the tool and the battery cartridge firmly when installing or removing battery cartridge. Failure to hold the tool and the battery cartridge firmly may cause them to slip off your hands and result in damage to the tool and battery cartridge and a personal injury.



► 1. Red indicator 2. Button 3. Battery cartridge

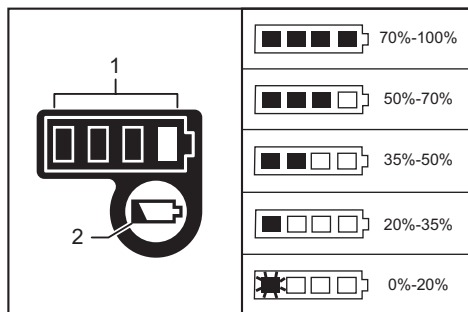
To remove the battery cartridge, slide it from the tool while sliding the button on the front of the cartridge.

To install the battery cartridge, align the tongue on the battery cartridge with the groove in the housing and slip it into place. Insert it all the way until it locks in place with a little click. If you can see the red indicator as shown in the figure, it is not locked completely.

**CAUTION:** Always install the battery cartridge fully until the red indicator cannot be seen. If not, it may accidentally fall out of the tool, causing injury to you or someone around you.

**CAUTION:** Do not install the battery cartridge forcibly. If the cartridge does not slide in easily, it is not being inserted correctly.

## Checking the remaining battery capacity (BL1460A)



- 1. Indicator lamps 2. Check button

**NOTE:** Depending on the conditions of use and the ambient temperature, the indication may differ slightly from the actual capacity.

## When charging

When the charging begins, the first (far left) indicating lamp begins to flicker. Then, as charging proceeds, the other lamps light, one after the other, to indicate the battery capacity.

**NOTE:** If the indicator lamp does not turn on or flicker when charging, the battery may be faulty. In this case, ask your local service center.

## When using

When the tool is switched on, the lamps will light to indicate the remaining battery capacity. When the tool is switched off, the light goes out after approx. 5 seconds. When pushing the check button with the tool switched off, the indicator lamps turn on for approx. 5 seconds to show battery capacity.

If the orange lamp flickers, the tool stops because of little remaining battery capacity (Auto-stop mechanism). Charge the battery cartridge or use a charged battery cartridge at this time.

When the tool is used with the battery that has not been used for a long time and is switched on, no lamps may light up. The tool stops because of little remaining battery capacity at this time. Charge the battery properly.

## Tool / battery protection system

The tool is equipped with a tool/battery protection system. This system automatically cuts off power to the motor to extend tool and battery life. The tool will automatically stop during operation if the tool or battery is placed under one of the following conditions:

### Overload protection

When the tool/battery is operated in a manner that causes it to draw an abnormally high current, the tool stops automatically. In this situation, turn the tool off and stop the application that caused the tool to become overloaded. Then turn the tool on to restart.

### Overheat protection

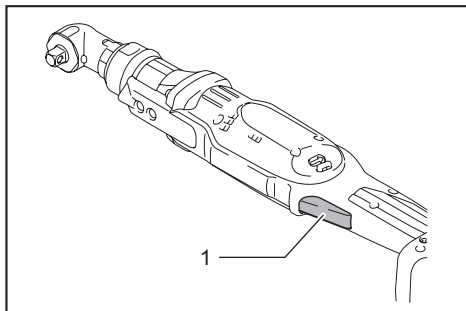
When the tool/battery is overheated, the tool stops automatically. In this situation, let the tool/battery cool before turning the tool on again.

### Overdischarge protection

When the battery capacity is not enough, the tool stops automatically. In this case, remove the battery from the tool and charge the battery.

## Switch action

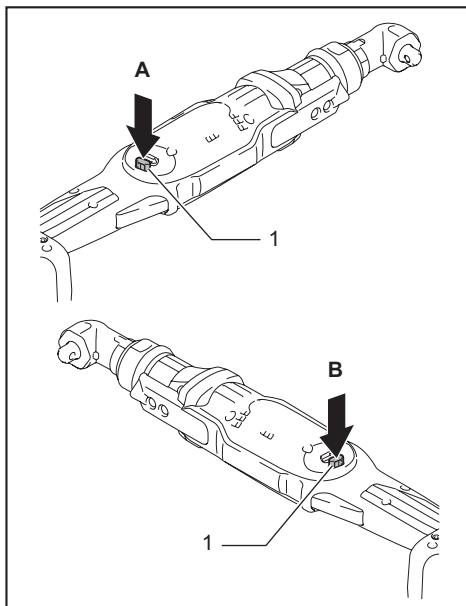
**!WARNING:** Before installing the battery cartridge into the tool, always check to see that the switch trigger actuates properly and returns to the "OFF" position when released.



- 1. Switch trigger

To start the tool, simply pull the switch trigger. Release the switch trigger to stop.

## Reversing switch action



- 1. Reversing switch lever

**CAUTION:** Always check the direction of rotation before operation.

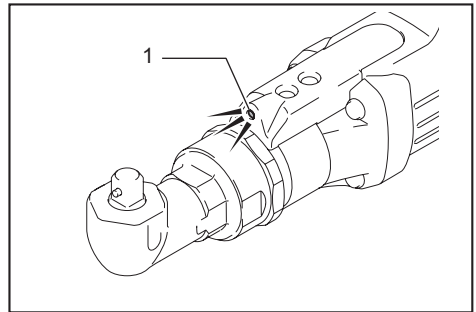
**CAUTION:** Use the reversing switch only after the tool comes to a complete stop. Changing the direction of rotation before the tool stops may damage the tool.

**CAUTION:** When not operating the tool, always set the reversing switch lever to the neutral position.

This tool has a reversing switch to change the direction of rotation. Depress the reversing switch lever from the A side for clockwise rotation or from the B side for counterclockwise rotation.

When the reversing switch lever is in the neutral position, the switch trigger cannot be pulled.

## Lighting up the front lamp



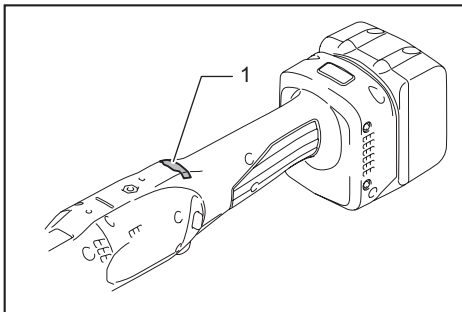
► 1. Lamp

**CAUTION:** Do not look in the light or see the source of light directly.

Pull the switch trigger to light up the lamp. The lamp keeps on lighting while the switch trigger is being pulled. The lamp goes out approximately 10 seconds after releasing the switch trigger.

**NOTE:** Use a dry cloth to wipe the dirt off the lens of the lamp. Be careful not to scratch the lens of lamp, or it may lower the illumination.

## LED indicator / Beeper



► 1. LED indicator

LED indicator / Beeper on the tool shows the following functions.

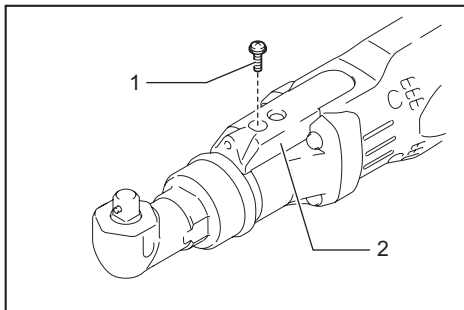
Function	Status of the tool	Status of the LED indicator/beeper		Action to be taken
		LED indicator	Beeper	
Check of the LED indicator, light and beeper operation	When the battery cartridge is installed, the tool checks for its LED indicator, light and beeper.	Lights up first in green, next red. (And then the light comes on.)	A series of very short beeps	–
Detection of switch trigger operation when installing battery	When the battery cartridge is installed with the switch trigger pulled, the tool stops to avoid unintentional start.	Flickers in red and green alternatively.	A series of short beeps	Release the switch trigger.
Auto-stop with fastening completion	The preset fastening torque has been achieved and the tool has stopped.	Lights up in green for approximately one second.	–	–

Function	Status of the tool	Status of the LED indicator/beeper		Action to be taken
		LED indicator	Beeper	
Alarm against insufficient fastening	The preset fastening torque has not been achieved, because the switch trigger has released before completing the fastening.	Lights up in red.	A long beep	Retighten the screw.
Double-hitting detection	When the operator starts to re-fasten an already-fastened screw, the tool detect it and stops.	Lights up in red.	A long beep	–
Alarm for low battery capacity	The battery power became low and it is time to replace the battery cartridge.	Flickers in red slowly.	A series of long beeps	Replace the battery with fully charged one.
Auto-stop with low remaining battery capacity	The battery power is almost used up and the tool stopped.	Lights up in red.	A long beep	Replace the battery with fully charged one.
Anti-reset of controller	The battery voltage dropped abnormally for some reason, and the tool stopped.	Flickers in red and green alternatively.	A series of short beeps	Replace the battery with fully charged one.
Overheat protection	Tool's controller heated up abnormally and the tool stopped.	Flickers in red quickly.	A series of short beeps	Remove the battery cartridge immediately and cool the tool down.
Motor failure detection	Motor failure has been detected. At this time, tool does not work.	Flickers in red and green alternatively.	A series of short beeps	Ask your local Makita Service Center for repair.
Maintenance alarm	A maintenance time has come according to your preset number of screws driven.	Flickers in yellow.	–	Reset the alarm with the application software.
Alarm for unavailable data communication (with the tool in connection with PC)	Data cannot be exchanged between the tool and PC in spite of the connection.	Flickers in yellow.	–	Restart the application software and re-connect the USB cable.
Indication that data communication is available (with the tool in connection with PC)	The tool is connected to PC and data communication is available.	Flickers in green.	–	–

## Adjusting the fastening torque

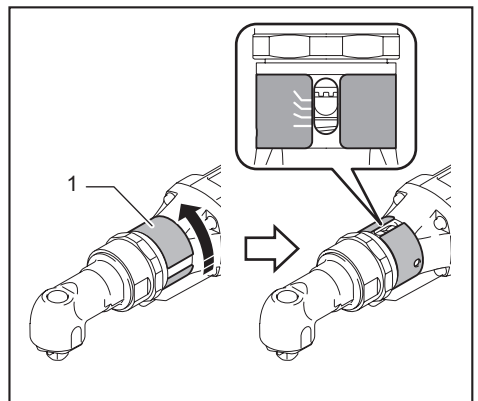
When you wish to drive machine screws, hex bolts, etc. with the predetermined torque, adjust the fastening torque as follows.

1. First remove the battery cartridge from the tool.
2. Loosen and remove the screw that secures the ring and lamp cover.



► 1. Screw 2. Lamp cover

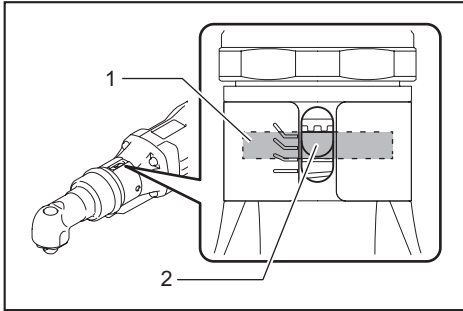
3. Rotate the ring in the front of the tool by hand so that a hole can be seen below the ring.



► 1. Ring



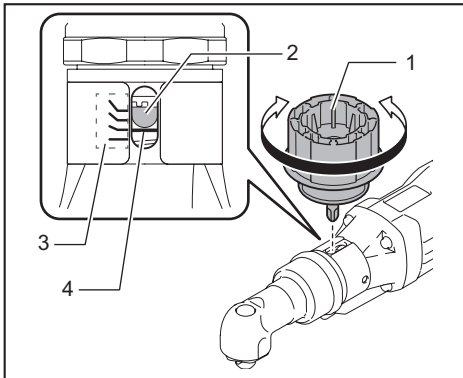
4. Install the battery cartridge in place. Pull the switch trigger and release it so that the adjust ring rotates and the hole becomes visible. And then remove the battery cartridge.



- 1. Adjust ring 2. Hole for adjust grip

5. Use an optional adjust grip to adjust the fastening torque. Insert the pin of the adjust grip into the hole in the front of the tool. And then, turn the adjust grip clockwise to set a greater fastening torque, and counterclockwise to set a smaller fastening torque.

6. Align the yellow line with your desired number on the fastening torque scale.



- 1. Adjust grip 2. Hole for adjust grip 3. Scale  
4. Yellow line

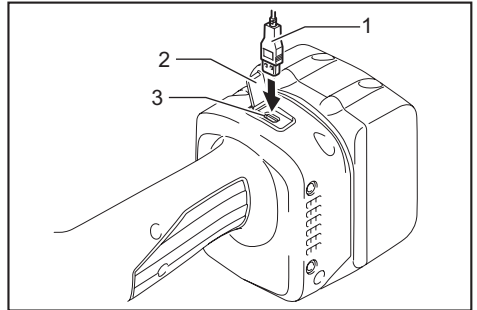
7. Insert the battery cartridge and be sure that a fastening torque has been set up by using a fastening torque tester.

8. Rotate the ring in front of the tool and then tighten the screw to secure the ring and lamp cover.

**NOTE:** Numbers on the fastening torque scale is a guideline to set up your desired fastening torque.

## Adjusting no-load speed and revolution angle etc.

You can adjust the no-load speed, number of turn, etc. of the tool with your computer. Install the application software in your computer and connect it to the tool with an USB cable.



- 1. USB cable 2. USB cover 3. USB port

**NOTICE:** Make sure that the USB cover closed when fastening.

**NOTE:** Use the makita genuine USB cable to connect your computer to the tool. Refer to the section "SPECIFICATIONS".

**NOTE:** For the application software, please contact Makita sales representative.

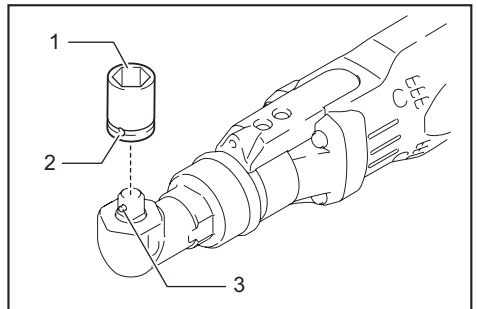
## ASSEMBLY

**CAUTION:** Always be sure that the tool is switched off and the battery cartridge is removed before carrying out any work on the tool.

### Selecting correct socket

There are different types of sockets for some models depending on applications. Choose and install a correct socket for your application.

### Installing or removing socket



- 1. Socket 2. Hole 3. Pin

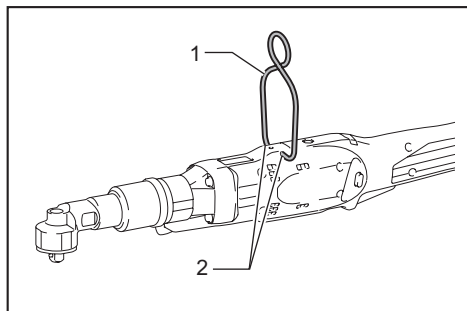
To install the socket, push it onto the square drive of the tool with one hand by depressing a pin on the square drive with another hand until it locks into place. To remove the socket, simply pull it off depressing the pin on the square drive.

**CAUTION:** Before operation, make sure that the socket is properly locked onto the square drive. Incomplete attachment of the socket may cause injury.

## Installing hook

### Optional accessory

The hook is useful to hang the tool. Install the hook to the holes on the tool body.



► 1. Hook 2. Hole

## OPERATION

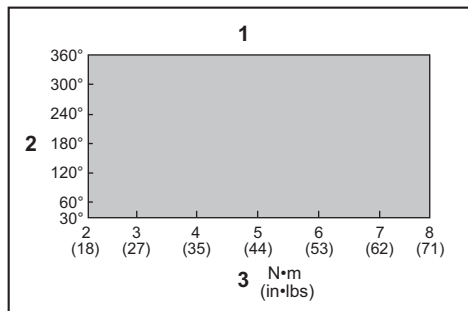
Hold the tool firmly and place the socket over the bolt or nut. Then switch the tool on. When the clutch cuts in, the motor will stop automatically. Then release the switch trigger.

**NOTE:** Hold the tool with its square drive pointed straight at the bolt or nut, or the bolt or nut will be damaged.

### Limits of fastening capacity

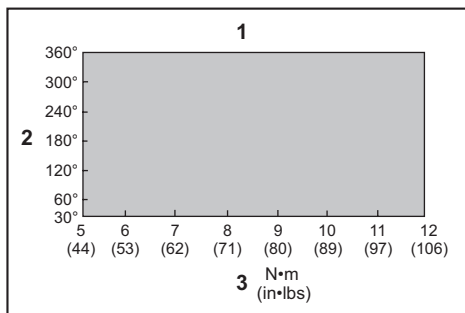
Use the tool within the limits of fastening capacity. If you use the tool beyond the limits, the clutch does not work. And the tool cannot deliver enough fastening torque.

#### For model DFL083F



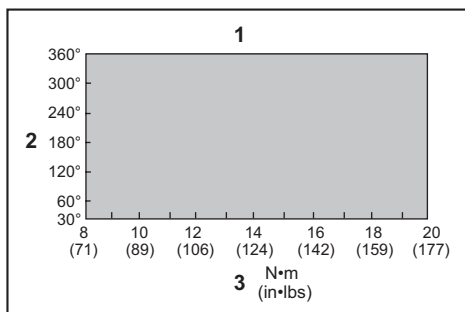
1. Range of fastening capacity 2. Rotation angle  
3. Torque

#### For model DFL125F



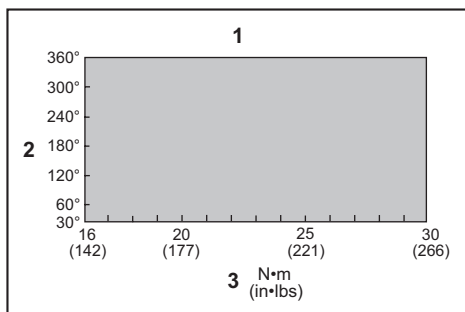
1. Range of fastening capacity 2. Rotation angle  
3. Torque

#### For model DFL204F



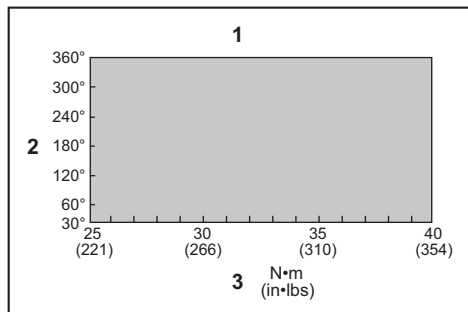
1. Range of fastening capacity 2. Rotation angle  
3. Torque

#### For model DFL302F



1. Range of fastening capacity 2. Rotation angle  
3. Torque

## For model DFL403F



1. Range of fastening capacity 2. Rotation angle  
3. Torque

**NOTE:** The rotation angle is the angle from the point that the bolt is tightened in 50% of desired torque to the point that the bolt is tightened in 100% torque.

**NOTE:** Use of a cold battery cartridge may give warning for battery capacity by LED indicator and beeper and stop the tool immediately, even if it is fully charged. In this case, the fastening capacity may be inferior to the specification on this manual.

## MAINTENANCE

**CAUTION:** Always be sure that the tool is switched off and the battery cartridge is removed before attempting to perform inspection or maintenance.

**NOTICE:** Never use gasoline, benzine, thinner, alcohol or the like. Discoloration, deformation or cracks may result.

To maintain product SAFETY and RELIABILITY, repairs, any other maintenance or adjustment should be performed by Makita Authorized or Factory Service Centers, always using Makita replacement parts.

## OPTIONAL ACCESSORIES

**CAUTION:** These accessories or attachments are recommended for use with your Makita tool specified in this manual. The use of any other accessories or attachments might present a risk of injury to persons. Only use accessory or attachment for its stated purpose.

If you need any assistance for more details regarding these accessories, ask your local Makita Service Center.

- Makita genuine battery and charger
- Anti kickback attachment
- Protector (Yellow, Blue, Red, Clear)
- Adjust grip
- Spindle complete

- USB cable
- Hook

**NOTE:** Some items in the list may be included in the tool package as standard accessories. They may differ from country to country.

## MAKITA LIMITED WARRANTY

Please refer to the annexed warranty sheet for the most current warranty terms applicable to this product. If annexed warranty sheet is not available, refer to the warranty details set forth at below website for your respective country.

United States of America: [www.makitatools.com](http://www.makitatools.com)

Canada: [www.makita.ca](http://www.makita.ca)

Other countries: [www.makita.com](http://www.makita.com)

## SPÉCIFICATIONS

Modèle :		DFL083F	DFL125F	DFL204F	DFL302F	DFL403F
Couple de serrage	Raccord rigide	2 - 8 N•m (18 - 71 in•lbs)	5 - 12 N•m (44 - 106 in•lbs)	8 - 20 N•m (71 - 177 in•lbs)	16 - 30 N•m (142 - 266 in•lbs)	25 - 40 N•m (221 - 354 in•lbs)
	Raccord souple	2 - 8 N•m (18 - 71 in•lbs)	5 - 12 N•m (44 - 106 in•lbs)	8 - 20 N•m (71 - 177 in•lbs)	16 - 30 N•m (142 - 266 in•lbs)	25 - 40 N•m (221 - 354 in•lbs)
Tige d'entraînement carrée		9,5 mm (3/8") ou 6,35 mm (1/4")		9,5 mm (3/8")		
Vitesse à vide (RPM) **		150 - 700 /min	100 - 700 /min	100 - 440 /min	70 - 230 /min	50 - 220 /min
Tension nominale		C.C. 14,4 V				
Longueur totale (Suivant la batterie)		464 - 481 mm (18-1/4" - 19")			503 - 520 mm (19-3/4" - 20-1/2")	
Poids net		1,7 - 2,1 kg (3,7 - 4,7 lbs)			2,0 - 2,3 kg (4,3 - 5,1 lbs)	
Câble USB applicable		661432-2				

- Étant donné l'évolution constante de notre programme de recherche et développement, les spécifications contenues dans ce manuel sont sujettes à modification sans préavis.
- Les spécifications peuvent varier suivant les pays.
- Le poids peut varier selon les accessoires, y compris la batterie. La plus légère et la plus lourde combinaisons, selon la procédure EPTA 01/2014, sont indiquées dans le tableau.
- \*\* La vitesse à vide peut être réglée avec une application exclusive.

### Batteries et chargeurs applicables

Batterie	BL1415NA / BL1430B / BL1460A
Chargeur	DC18RC / DC18RD / DC18SD / DC18SE / DC18SF

- Suivant la région où vous habitez, il se peut que certaines des batteries et certains des chargeurs énumérés ci-dessus ne soient pas disponibles.

**⚠ MISE EN GARDE : Utilisez exclusivement les batteries et chargeurs énumérés ci-dessus.** L'utilisation de toute autre batterie ou tout autre chargeur peut entraîner une blessure et/ou un incendie.

**NOTE :** Cet équipement a fait l'objet d'essais et a été jugé conforme aux limites pour appareil numérique de classe A, en conformité à la section 15 des Règlements de la FCC. Ces limites sont conçues pour assurer une protection raisonnable contre le brouillage préjudiciable lorsque l'équipement est utilisé dans un environnement commercial. Cet équipement génère, utilise et peut rayonner de l'énergie de fréquence radio et, s'il n'est pas installé et utilisé conformément au manuel d'instructions, peut causer du brouillage préjudiciable sur les communications radio. L'utilisation de cet équipement dans une zone résidentielle est susceptible de causer du brouillage préjudiciable ; le cas échéant, l'utilisateur devra annuler ce brouillage à ses propres frais.

## CONSIGNES DE SÉCURITÉ

### Consignes de sécurité générales pour outils électriques

**⚠ MISE EN GARDE : Lisez toutes les mises en garde, instructions, illustrations et spécifications qui accompagnent cet outil électrique.** Il y a risque de décharge électrique, d'incendie et/ou de blessure grave si les instructions ci-dessous ne sont pas toutes respectées.

### Conservez toutes les mises en garde et instructions pour référence future.

Le terme « outil électrique » qui figure dans les avertissements fait référence à un outil électrique branché sur une prise de courant (par un cordon d'alimentation) ou alimenté par batterie (sans fil).

## Sécurité de la zone de travail

1. **Maintenez la zone de travail propre et bien éclairée.** Les zones de travail encombrées ou sombres ouvrent grande la porte aux accidents.
2. **N'utilisez pas les outils électriques dans les atmosphères explosives, par exemple en présence de liquides, gaz ou poussières inflammables.** Les outils électriques produisent des étincelles au contact desquelles la poussière ou les vapeurs peuvent s'enflammer.
3. **Assurez-vous qu'aucun enfant ou curieux ne s'approche pendant que vous utilisez un outil électrique.** Vous risquez de perdre la maîtrise de l'outil si votre attention est détournée.

## Sécurité en matière d'électricité

1. **Les fiches d'outil électrique sont conçues pour s'adapter parfaitement aux prises de courant. Ne modifiez jamais la fiche de quelque façon que ce soit. N'utilisez aucun adaptateur de fiche sur les outils électriques avec mise à la terre.** En ne modifiant pas les fiches et en les insérant dans des prises de courant pour lesquelles elles ont été conçues, vous réduirez les risques de choc électrique.
2. **Évitez tout contact corporel avec les surfaces mises à la terre, telles que tuyaux, radiateurs, cuisinières et réfrigérateurs.** Le risque de choc électrique est plus élevé si votre corps se trouve mis à la terre.
3. **N'exposez pas les outils électriques à la pluie ou à l'eau.** La présence d'eau dans un outil électrique augmente le risque de choc électrique.
4. **Ne maltraitez pas le cordon. N'utilisez jamais le cordon pour transporter, tirer ou débrancher l'outil électrique.** Maintenez le cordon à l'écart des sources de chaleur, de l'huile, des objets à bords tranchants et des pièces en mouvement. Le risque de choc électrique est plus élevé lorsque les cordons sont endommagés ou enchevêtrés.
5. **Lorsque vous utilisez un outil électrique à l'extérieur, utilisez un cordon prolongateur conçu pour l'usage extérieur.** Les risques de choc électrique est moindre lorsqu'un cordon conçu pour l'usage extérieur est utilisé.
6. **Si vous devez utiliser un outil électrique dans un endroit humide, utilisez une source d'alimentation protégée par un disjoncteur de fuite à la terre.** L'utilisation d'un disjoncteur de fuite à la terre réduit le risque de choc électrique.
7. **Les outils électriques peuvent produire des champs électromagnétiques (CEM) qui ne sont pas préjudiciables à l'utilisateur.** Les utilisateurs de stimulateur cardiaque ou autres appareils médicaux similaires doivent toutefois demander conseil au fabricant et/ou à leur médecin avant d'utiliser cet outil électrique.

## Sécurité personnelle

1. **Restez alerte, attentif à vos mouvements et faites preuve de bon sens lorsque vous utilisez un outil électrique. N'utilisez pas les outils électriques si vous êtes fatigué ou avez pris une drogue, de l'alcool ou un médicament.** Un moment d'inattention pendant l'utilisation d'un outil électrique peut entraîner une grave blessure.

2. **Portez des dispositifs de protection personnelle. Portez toujours une protection oculaire.** Les risques de blessure seront moins élevés si vous utilisez des dispositifs de protection tels qu'un masque anti-poussière, des chaussures à semelle antidérapante, une coiffure résistante ou une protection d'oreilles.
3. **Évitez les démarrages accidentels. Assurez-vous que l'interrupteur est en position d'arrêt avant de brancher l'outil à la prise de courant et/ou au bloc-piles, et avant de prendre ou de transporter l'outil.** Vous ouvrez la porte aux accidents si vous transportez les outils électriques avec le doigt sur l'interrupteur ou si vous les branchez alors que l'interrupteur est en position de marche.
4. **Retirez toute clé de réglage ou de serrage avant de mettre l'outil électrique sous tension.** Toute clé laissée en place sur une pièce rotative de l'outil électrique peut entraîner une blessure.
5. **Ne vous étrez pas exagérément. Assurez-vous d'une bonne prise au sol et d'un bon équilibre en tout temps.** Cela vous permettra d'avoir une meilleure maîtrise de l'outil électrique dans les situations imprévues.
6. **Portez des vêtements adéquats. Ne portez ni vêtements amples ni bijoux. Gardez vos cheveux, vêtements et gants à l'écart des pièces en mouvement.** Les vêtements amples, bijoux ou cheveux longs peuvent être happés par les pièces en mouvement.
7. **Si des accessoires sont fournis pour raccorder un appareil d'aspiration et de collecte de la poussière, assurez-vous qu'ils sont correctement raccordés et qu'ils sont utilisés de manière adéquate.** L'utilisation d'un appareil de collecte permet de réduire les risques liés à la présence de poussière dans l'air.
8. **Évitez d'être complaisant et d'ignorer les principes de sécurité de l'outil en raison de la familiarité acquise par un usage fréquent des outils.** Un geste imprudent peut entraîner une grave blessure en une fraction de seconde.
9. **Portez toujours des lunettes à coques de protection pour protéger vos yeux contre les blessures lors de l'utilisation d'outils électriques. Les lunettes à coques doivent être conformes à ANSI Z87.1 aux États-Unis. L'employeur a la responsabilité d'imposer l'utilisation d'équipements de protection de sécurité adéquats aux utilisateurs des outils électriques et à toute autre personne se trouvant dans la zone de travail immédiate.**

## Utilisation et entretien des outils électriques

1. **Ne forcez pas l'outil électrique. Utilisez l'outil électrique adéquat suivant le type de travail à effectuer.** Si vous utilisez l'outil électrique adéquat et respectez le régime pour lequel il a été conçu, il effectuera un travail de meilleure qualité et plus sécuritaire.
2. **N'utilisez pas l'outil électrique s'il n'est pas possible de l'allumer et de l'éteindre avec son interrupteur.** Un outil électrique dont l'interrupteur est défectueux représente un danger et doit être réparé.

3. **Avant d'effectuer tout réglage, de remplacer un accessoire ou de ranger l'outil électrique, débranchez la fiche de la source d'alimentation et/ou retirez la batterie de l'outil électrique si elle est amovible.** Ces mesures préventives de sécurité réduisent les risques de démarrage accidentel de l'outil électrique.
4. **Après l'utilisation d'un outil électrique, rangez-le hors de portée des enfants et ne laissez aucune personne l'utiliser si elle n'est pas familiarisée avec l'outil électrique ou les présentes instructions d'utilisation.** Les outils électriques représentent un danger entre les mains de personnes qui n'en connaissent pas le mode d'utilisation.
5. **Effectuez l'entretien des outils électriques et des accessoires. Assurez-vous que les pièces mobiles ne sont pas désalignées ou coincées, qu'aucune pièce n'est cassée et que l'outil électrique n'a subi aucun dommage affectant son bon fonctionnement. Le cas échéant, faites réparer l'outil électrique avant de l'utiliser.** De nombreux accidents sont causés par des outils électriques mal entretenus.
6. **Maintenez les outils tranchants bien aiguisés et propres.** Un outil tranchant dont l'entretien est effectué correctement et dont les bords sont bien aiguisés risquera moins de se coincer et sera plus facile à maîtriser.
7. **Utilisez l'outil électrique, ses accessoires, ses embouts, etc., en respectant les présentes instructions, en tenant compte des conditions de travail et du type de travail à effectuer.** L'utilisation d'un outil électrique pour d'autres usages que ceux prévus peut entraîner une situation dangereuse.
8. **Gardez les poignées et surfaces de saisie sèches, propres et exemptes d'huile et de graisse.** Les poignées et surfaces de saisie glissantes ne permettent pas une manipulation sûre et une bonne maîtrise de l'outil dans les situations inattendues.
9. **Lors de l'utilisation de l'outil, ne portez pas de gants de travail en tissu qui risquent de s'enchevêtrer dans l'outil.** L'enchevêtrement de gants de travail en tissu dans les pièces en mouvement peut entraîner une blessure.

#### Utilisation et entretien des outils alimentés par batterie

1. **Pour recharger, utilisez uniquement le chargeur spécifié par le fabricant.** L'utilisation d'un chargeur conçu pour un type donné de bloc-piles comporte un risque d'incendie lorsqu'il est utilisé avec un autre type de bloc-piles.
2. **N'utilisez un outil électrique qu'avec le bloc-piles conçu spécifiquement pour cet outil.** Il y a risque de blessure ou d'incendie si un autre bloc-piles est utilisé.
3. **Lorsque vous n'utilisez pas le bloc-piles, rangez-le à l'écart des objets métalliques tels que trombones, pièces de monnaie, clés, clous, vis ou autres petits objets métalliques qui risqueraient d'établir une connexion entre les bornes.** La mise en court-circuit des bornes de batterie peut causer des brûlures ou un incendie.

4. **Dans des conditions d'utilisation inadéquates de la batterie, il peut y avoir fuite d'électrolyte; évitez tout contact avec ce liquide. En cas de contact accidentel, rincez avec beaucoup d'eau. Si le liquide pénètre dans vos yeux, il faut aussi consulter un médecin.** L'électrolyte qui s'échappe de la batterie peut causer des irritations ou des brûlures.
5. **N'utilisez pas une batterie ou un outil si l'est endommagé ou modifié.** Les batteries endommagées ou modifiées peuvent avoir un comportement imprévisible dont peut résulter un incendie, une explosion ou un risque de blessure.
6. **N'exposez pas une batterie ou un outil au feu ou à une température excessive.** L'exposition au feu ou à une température supérieure à 130 °C peut entraîner une explosion.
7. **Suivez toutes les instructions de charge et ne chargez pas la batterie ou l'outil à l'extérieur de la plage de température spécifiée dans les instructions.** Charger de manière inadéquate ou à des températures hors de la plage spécifiée peut endommager la batterie et augmenter le risque d'incendie.

#### Réparation

1. **Faites réparer votre outil électrique par un réparateur qualifié qui utilise des pièces de rechange identiques aux pièces d'origine.** Le maintien de la sûreté de l'outil électrique sera ainsi assuré.
2. **N'essayez jamais de réparer les batteries endommagées.** La réparation des batteries ne doit être effectuée que par le fabricant ou par un fournisseur de service après-vente agréé.
3. **Suivez les instructions de lubrification et de remplacement des accessoires.**
4. **Ne modifiez pas ou n'essayez pas de réparer l'appareil ou la batterie autrement que tel qu'indiqué dans les instructions d'utilisation et d'entretien.**

### Consignes de sécurité pour la visseuse sans fil

1. **Tenez l'outil électrique par ses surfaces de prise isolées pendant toute opération où la fixation pourrait venir en contact avec un câblage dissimulé.** En cas de contact avec un conducteur sous tension, les pièces métalliques à découvert de l'outil électrique pourraient devenir sous tension et risqueraient de transmettre une décharge électrique à l'utilisateur.
2. **Adoptez toujours une position de travail vous assurant d'un bon équilibre.** Assurez-vous qu'il n'y a personne plus bas lorsque vous utilisez l'outil en position élevée.
3. **Tenez l'outil fermement.**
4. **Gardez les mains éloignées des pièces en rotation.**
5. **Ne touchez ni l'embout, ni la pièce à travailler immédiatement après l'utilisation ; ils peuvent être extrêmement chauds et vous pourriez vous brûler la peau.**
6. **Fixez toujours la pièce à travailler dans un étai ou autre dispositif de retenue similaire.**

7. Assurez-vous qu'il n'y a pas de câbles électriques, tuyaux d'eau, tuyaux de gaz, etc., pouvant entraîner un danger s'ils sont endommagés lors de l'utilisation de l'outil.

## CONSERVEZ CES INSTRUCTIONS.

**⚠ MISE EN GARDE** : NE vous laissez PAS tromper (au fil d'une utilisation répétée) par un sentiment d'aisance ou de familiarité avec le produit en négligeant les consignes de sécurité qui accompagnent le produit.

UNE UTILISATION INCORRECTE ou le non-respect des règles de sécurité énoncées dans le présent manuel d'instructions peut provoquer des blessures graves.

## Symboles

Les symboles utilisés pour l'outil sont indiqués ci-dessous.

V	volts
— — —	courant continu
n <sub>o</sub>	vitesse à vide
... /min r /min	tours ou alternances par minute

## Consignes de sécurité importantes pour la batterie

- Avant d'utiliser la batterie, lisez toutes les instructions et les mises en garde apposées sur (1) le chargeur de batterie, (2) la batterie et (3) le produit utilisant la batterie.
- Ne démontez pas et ne modifiez pas la batterie. Cela peut entraîner un incendie, une chaleur excessive ou une explosion.
- Cessez immédiatement l'utilisation si le temps de fonctionnement devient excessivement court. Il y a risque de surchauffe, de brûlures, voire d'explosion.
- Si l'électrolyte pénètre dans vos yeux, rincez-les à l'eau claire et consultez immédiatement un médecin. Il y a risque de perte de la vue.
- Ne court-circuitez pas la batterie :
  - Ne touchez les bornes avec aucun matériau conducteur.
  - Évitez de ranger la batterie dans un conteneur avec d'autres objets métalliques tels que clous, pièces de monnaie, etc.
  - Évitez d'exposer la batterie à l'eau ou à la pluie.

Un court-circuit de la batterie pourrait provoquer un fort courant, une surchauffe, parfois des brûlures et même une panne.

- Ne rangez pas et n'utilisez pas l'outil ou la batterie dans des emplacements où la température peut atteindre ou dépasser 50 °C (122 °F).

- Ne jetez pas la batterie au feu même si elle est sérieusement endommagée ou complètement épuisée. La batterie peut exploser au contact du feu.

- Évitez de clouer, de couper, d'écraser, de lancer ou d'échapper la batterie, ou de heurter un objet dur contre la batterie. Cela peut entraîner un incendie, une chaleur excessive ou une explosion.
- N'utilisez pas une batterie si elle est endommagée.
- Les batteries lithium-ion fournies sont soumises aux exigences de la législation sur les marchandises dangereuses. Des exigences particulières sur l'emballage et l'étiquetage doivent être respectées lors du transport commercial par des tiers, des transitaires, etc. Pour préparer la marchandise à expédier, consultez un expert en matériaux dangereux si nécessaire. Respectez aussi les éventuelles réglementations nationales plus détaillées. Recouvrez de ruban isolant les contacts exposés, et emballez la batterie de sorte qu'elle ne puisse pas se déplacer à l'intérieur de l'emballage.
- Lors de l'élimination de la batterie, retirez-la de l'outil et éliminez-la dans un endroit sûr. Respectez la réglementation locale concernant l'élimination de la batterie.

- N'utilisez les batteries qu'avec les produits spécifiés par Makita. Installer les batteries sur des produits non conformes peut entraîner un incendie, une chaleur excessive, une explosion ou une fuite d'électrolyte.
- Si l'outil reste inutilisé pour une période prolongée, la batterie doit en être retirée.
- Pendant et après l'utilisation, la batterie peut accumuler de la chaleur, ce qui peut causer des brûlures ou des brûlures à basse température. Faites attention lors de la manipulation des batteries chaudes.
- Ne touchez pas la borne de l'outil immédiatement après l'utilisation, car elle peut être assez chaude pour causer des brûlures.
- Ne laissez pas les copeaux, les poussières ou la terre se coincer dans les bornes, les trous et les rainures de la batterie. Cela peut entraîner un fonctionnement médiocre ou une panne de l'outil ou de la batterie.
- À moins que l'outil ne soit compatible avec l'utilisation à proximité des lignes électriques haute tension, n'utilisez pas la batterie à proximité d'une ligne électrique haute tension. Cela peut entraîner un dysfonctionnement ou une panne de l'outil ou de la batterie.
- Gardez la batterie à l'écart des enfants.

## CONSERVEZ CES INSTRUCTIONS.

**⚠ ATTENTION** : Utilisez exclusivement les batteries fabriquées par Makita. Les batteries autres que celles fabriquées par Makita ou les batteries modifiées peuvent exploser et causer un incendie, une blessure ou des dommages. Cela annule aussi la garantie Makita de l'outil et du chargeur Makita.



## Conseils pour maintenir la durée de service maximale de la batterie

1. Rechargez la batterie avant qu'elle ne soit complètement déchargée. Arrêtez toujours l'outil et rechargez la batterie quand vous remarquez que la puissance de l'outil diminue.
2. Ne rechargez jamais une batterie complètement chargée. La surcharge réduit la durée de service de la batterie.
3. Chargez la batterie à une température ambiante comprise entre 10 °C et 40 °C (50 °F et 104 °F). Si la batterie est chaude, laissez-la refroidir avant de la charger.
4. Lorsque vous n'utilisez pas la batterie, retirez-la de l'outil ou du chargeur.
5. Chargez la batterie si elle est restée inutilisée pendant une période prolongée (plus de six mois).

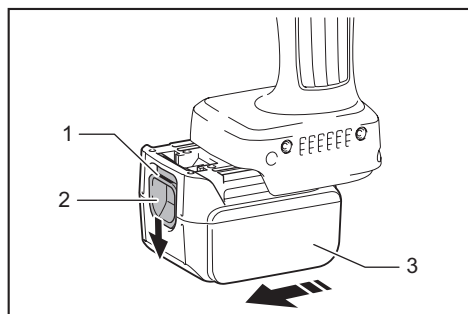
## DESCRIPTION DU FONCTIONNEMENT

**ATTENTION** : Assurez-vous toujours que l'outil est éteint et que sa batterie est retirée avant de l'ajuster ou de vérifier son fonctionnement.

### Installation ou retrait de la batterie

**ATTENTION** : Éteignez toujours l'outil avant d'installer ou de retirer la batterie.

**ATTENTION** : Tenez fermement l'outil et la batterie lors de l'installation ou du retrait de cette dernière. Si l'outil et la batterie ne sont pas tenus fermement, ils risquent de vous glisser des mains et de subir des dommages, ou encore de vous blesser.



► 1. Indicateur rouge 2. Bouton 3. Batterie

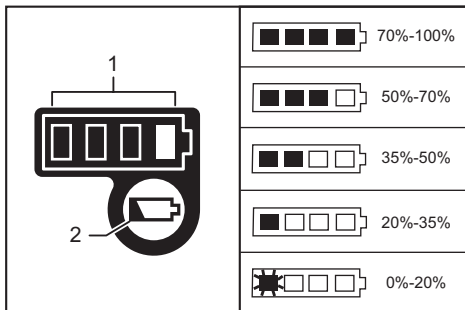
Pour retirer la batterie, faites-la glisser hors de l'outil tout en glissant le bouton qui se trouve à l'avant.

Pour installer la batterie, alignez sa languette sur la rainure pratiquée dans le boîtier et glissez la batterie en place. Insérez-la à fond jusqu'à ce que vous entendiez un léger déclic. Si vous pouvez voir l'indicateur rouge tel qu'illustré sur la figure, cela signifie qu'elle n'est pas complètement verrouillée.

**ATTENTION** : Installez toujours la batterie à fond jusqu'à ce que vous ne puissiez plus voir l'indicateur rouge. Autrement elle risque de tomber accidentellement de l'outil et d'entraîner des blessures.

**ATTENTION** : Ne forcez pas sur la batterie pour l'installer. Si la batterie ne glisse pas facilement, c'est qu'elle n'est pas insérée correctement.

## Vérification du niveau de charge de la batterie (BL1460A)



► 1. Témoins indicateurs 2. Bouton de vérification

**NOTE** : Suivant les conditions d'utilisation et la température ambiante, il se peut que l'indication soit légèrement différente de la charge réelle.

## Pendant la charge

Lorsque la charge commence, le premier témoin indicateur (à l'extrême gauche) commence à clignoter. Puis, à mesure que la batterie se charge, les autres témoins s'allument un après l'autre pour indiquer le niveau de charge de la batterie.

**NOTE** : Si la lampe témoin ne s'allume pas ou ne clignote pas pendant la charge, il se peut que la batterie soit défectueuse. Le cas échéant, informez-vous auprès de votre centre de service après-vente local.

## Pendant l'utilisation

Lorsque vous allumez l'outil, les témoins s'allument pour indiquer la charge restante de la batterie. Lorsque vous éteignez l'outil, la lumière s'éteint au bout d'environ 5 secondes.

Lorsque vous appuyez sur le bouton de vérification alors que l'outil est éteint, les lampes témoin s'allument pendant environ 5 secondes pour indiquer la charge de la batterie.

Si le témoin orange clignote, l'outil s'arrête en raison de la faible charge restante de la batterie (mécanisme d'arrêt automatique). Chargez la batterie ou utilisez une batterie chargée à ce moment.

Si l'outil est utilisé avec une batterie restée longtemps inutilisée, il se peut que les témoins ne s'allument pas lorsque vous allumerez l'outil. L'outil s'arrête en raison de la faible charge restante de la batterie à ce moment. Chargez la batterie adéquatement.



## Dispositif de protection de l'outil et de la batterie

L'outil est équipé d'un système de protection d'outil/batterie. Ce système coupe automatiquement l'alimentation du moteur pour augmenter la durée de vie de l'outil et de la batterie. L'outil s'arrête automatiquement pendant l'utilisation lorsque l'outil ou la batterie est dans l'une des situations suivantes :

### Protection contre la surcharge

Lorsque l'outil ou la batterie est utilisé d'une façon qui lui fait consommer un courant anormalement élevé, l'outil s'arrête automatiquement. Dans ce cas, éteignez l'outil et arrêtez l'application qui cause une surcharge de l'outil. Remettez ensuite le contact pour redémarrer.

### Protection contre la surchauffe

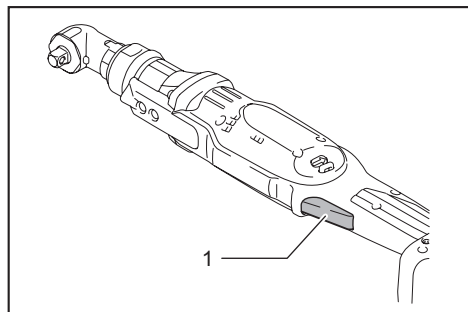
Lorsque l'outil ou la batterie surchauffe, l'outil s'arrête automatiquement. Il faut alors laisser refroidir l'outil ou la batterie avant de rallumer l'outil.

### Protection contre la décharge excessive

Lorsque la charge de la batterie est insuffisante, l'outil s'arrête automatiquement. Dans ce cas, retirez la batterie de l'outil et chargez la batterie.

## Interrupteur

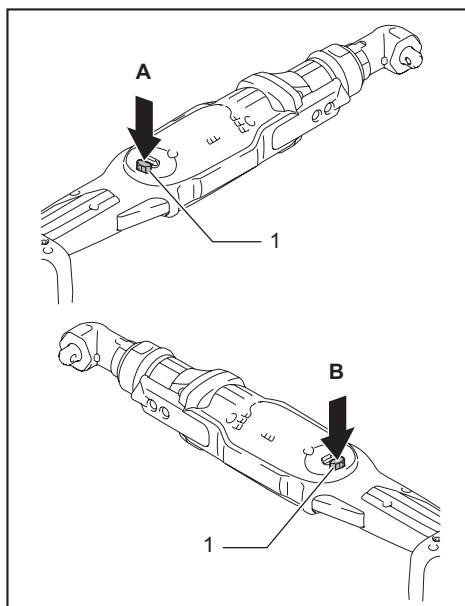
**⚠ MISE EN GARDE :** Avant d'insérer la batterie dans l'outil, vérifiez toujours que la gâchette fonctionne bien et revient en position d'arrêt lorsque libérée.



► 1. Gâchette

Pour faire démarrer l'outil, appuyez simplement sur la gâchette. Pour l'arrêter, relâchez la gâchette.

## Fonctionnement de l'inverseur



► 1. Levier inverseur

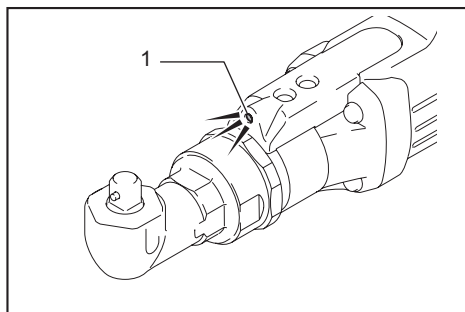
**⚠ ATTENTION :** Vérifiez toujours le sens de rotation avant de mettre l'outil en marche.

**⚠ ATTENTION :** N'actionnez l'inverseur qu'une fois l'outil complètement arrêté. Si vous changez le sens de rotation avant l'arrêt de l'outil, vous risquez de l'endommager.

**⚠ ATTENTION :** Lorsque vous n'utilisez pas l'outil, placez toujours le levier inverseur en position neutre.

L'outil possède un inverseur qui permet de changer le sens de rotation. Enfoncez le levier inverseur du côté A pour une rotation dans le sens des aiguilles d'une montre, ou du côté B pour une rotation dans le sens contraire des aiguilles d'une montre. La pression sur la gâchette n'est pas possible lorsque le levier inverseur se trouve en position neutre.

## Allumage de la lampe avant



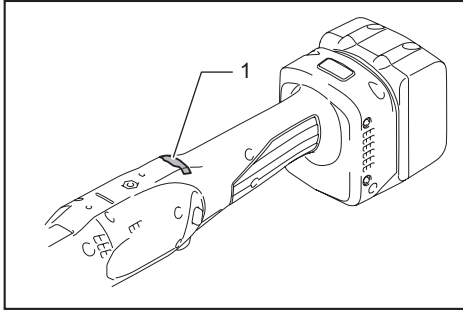
► 1. Lampe

**ATTENTION** : Évitez de regarder directement le faisceau lumineux ou sa source.

**NOTE** : Utilisez un linge sec pour enlever les poussières sur la lentille de la lampe. Prenez garde de rayer la lentille de la lampe, car cela peut affecter son intensité d'éclairage.

Appuyez sur la gâchette pour allumer la lampe. La lampe reste allumée tant que vous appuyez sur la gâchette. La lampe s'éteint environ 10 secondes après avoir relâché la gâchette.

## Voyant DEL/avertisseur



### ► 1. Voyant DEL

Le voyant DEL/avertisseur de l'outil indique les fonctions suivantes.

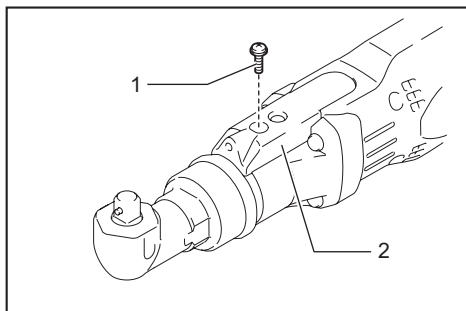
Fonction	État de l'outil	État du voyant DEL/avertisseur		Mesure à prendre
		Voyant DEL	Avertisseur	
Vérification du fonctionnement du voyant DEL, de la lumière et de l'avertisseur	Au moment de la mise en place de la batterie, l'outil vérifie son voyant DEL, sa lumière et son avertisseur.	S'allume d'abord en vert, puis en rouge. (Puis la lumière s'allume.)	Une suite de bips très courts	-
Détection de l'activation de la gâchette pendant la mise en place de la batterie	Lorsque la batterie est mise en place alors que la gâchette est enfoncée, l'outil s'arrête automatiquement pour éviter un démarrage involontaire.	Clignote alternativement en rouge et en vert.	Une suite de bips courts	Relâchez la gâchette.
Arrêt automatique à l'achèvement du serrage	Le couple de serrage prédéfini a été atteint et l'outil s'est arrêté.	S'allume en vert pendant environ une seconde.	-	-
Alarme de serrage insuffisant	Le couple de serrage prédéfini n'a pas été atteint, car la gâchette a été relâchée avant l'achèvement du serrage.	S'allume en rouge.	Un bip long	Resserrez la vis.
Détection de double frappe	Lorsque l'utilisateur commence à serrer de nouveau une vis déjà serrée, l'outil le détecte et s'arrête.	S'allume en rouge.	Un bip long	-
Alarme de faible charge de la batterie	La batterie faiblit et il est temps de la remplacer.	Clignote lentement en rouge.	Une suite de bips longs	Remplacez la batterie par une autre complètement chargée.
Arrêt automatique lorsque la charge restante de la batterie est faible	La batterie est presque épuisée et l'outil s'est arrêté.	S'allume en rouge.	Un bip long	Remplacez la batterie par une autre complètement chargée.
Anti-réinitialisation du contrôleur	La tension de la batterie a chuté anormalement pour une raison quelconque et l'outil s'est arrêté.	Clignote alternativement en rouge et en vert.	Une suite de bips courts	Remplacez la batterie par une autre complètement chargée.
Protection contre la surchauffe	Le contrôleur de l'outil a chauffé anormalement et l'outil s'est arrêté.	Clignote rapidement en rouge.	Une suite de bips courts	Retirez la batterie immédiatement et laissez refroidir l'outil.

Fonction	État de l'outil	État du voyant DEL/avertisseur		Mesure à prendre
		Voyant DEL	Avertisseur	
Détection de panne de moteur	Une panne de moteur a été détectée. Le cas échéant, l'outil ne fonctionne pas.	Clignote alternativement en rouge et en vert.	Une suite de bips courts	Demandez à votre centre de service après-vente local Makita de le réparer.
Alarme d'entretien	Il est temps d'effectuer l'entretien, selon votre nombre prédéfini de vis posées.	Clignote en jaune.	-	Réinitialisez l'alarme avec l'application logicielle.
Alarme de communication des données non disponible (lorsque l'outil est connecté à un PC)	Les données ne peuvent être échangées entre l'outil et le PC malgré la connexion.	Clignote en jaune.	-	Relancez l'application logicielle et reconnectez le câble USB.
Indication de disponibilité de la communication des données (lorsque l'outil est connecté à un PC)	L'outil est connecté au PC et la communication des données est disponible.	Clignote en vert.	-	-

## Réglage du couple de serrage

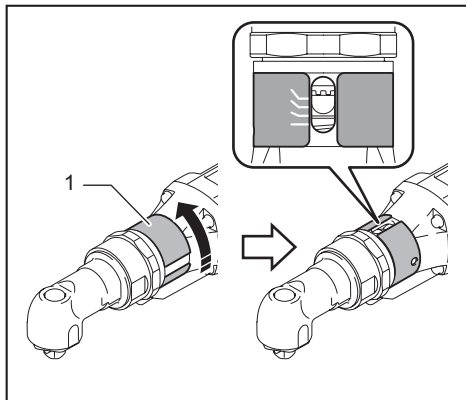
Lorsque vous voulez poser des vis de mécanique, des boulons hexagonaux, etc., avec un couple prédéfini, ajustez le couple de serrage comme suit.

1. Retirez d'abord la batterie de l'outil.
2. Desserrez et retirez la vis qui retient la bague et le couvercle de lampe.



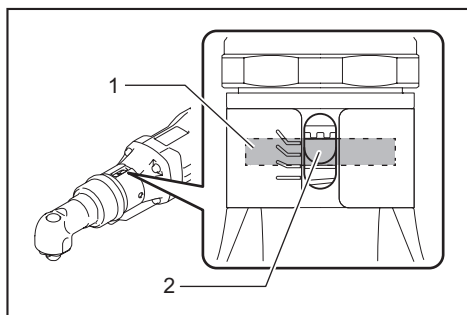
► 1. Vis 2. Couvercle de lampe

3. Tournez manuellement la bague à l'avant de l'outil, de sorte qu'un trou soit visible sous la bague.



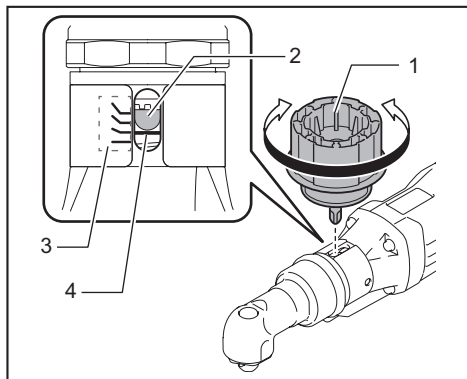
► 1. Bague

4. Mettez la batterie en place. Appuyez sur la gâchette et relâchez-la de sorte que la bague de réglage tourne et que le trou devienne visible. Retirez ensuite la batterie.



► 1. Bague de réglage 2. Trou pour poignée de réglage

5. Utilisez une poignée de réglage en option pour régler le couple de serrage. Insérez la broche de la poignée de réglage dans le trou à l'avant de l'outil. Ensuite, tournez la poignée de réglage dans le sens des aiguilles d'une montre pour un couple de serrage supérieur, ou dans le sens contraire pour un couple de serrage inférieur.
6. Alignez la ligne jaune sur le numéro désiré sur l'échelle de couple de serrage.



► 1. Poignée de réglage 2. Trou pour poignée de réglage 3. Échelle 4. Ligne jaune

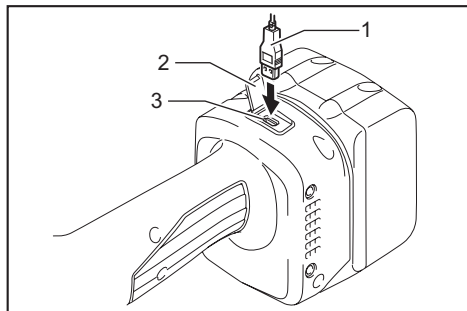
7. Insérez la batterie et assurez-vous qu'un couple de serrage a été défini au moyen d'un testeur de couple de serrage.

8. Tournez la bague à l'avant de l'outil, puis serrez la vis pour fixer la bague et le couvercle de lampe.

**NOTE** : Les numéros inscrits sur l'échelle de couple de serrage servent de guide pour définir le couple de serrage désiré.

## Réglage de la vitesse à vide, de l'angle de révolution, etc.

Vous pouvez régler la vitesse à vide, le nombre de tours, et autres paramètres de l'outil avec votre ordinateur. Installez l'application logicielle dans votre ordinateur et connectez-le à l'outil avec un câble USB.



► 1. Câble USB 2. Cache USB 3. Port USB

**AVIS** : Assurez-vous que le cache USB est fermé pendant le serrage.

**NOTE** : Utilisez le câble USB Makita d'origine pour connecter votre ordinateur avec l'outil. Consultez la section « SPÉCIFICATIONS ».

**NOTE** : Pour l'application logicielle, veuillez contacter un représentant de commerce Makita.

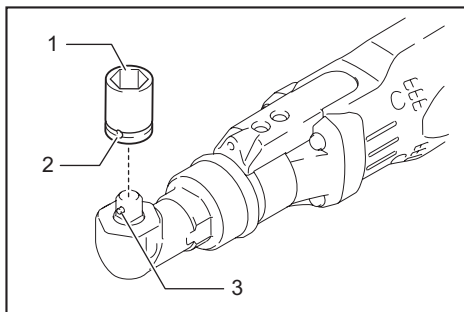
## ASSEMBLAGE

**ATTENTION** : Assurez-vous toujours que l'outil est éteint et que sa batterie est retirée avant d'effectuer tout travail dessus.

### Sélection de la bonne douille

Il y a différents types de douilles pour certains modèles, selon les applications. Choisissez et installez la douille qui convient à l'application.

## Pose ou retrait de la douille



► 1. Douille 2. Trou 3. Broche

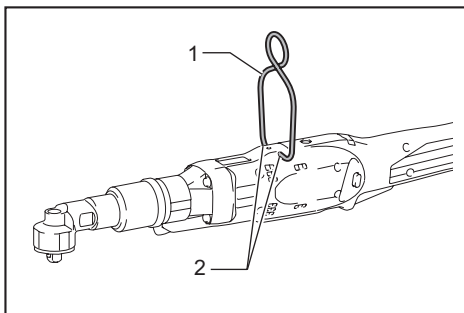
Pour installer la douille, poussez-la d'une main sur la tige d'entraînement carrée de l'outil tout en enfonçant la broche de la tige d'entraînement carrée avec l'autre main, jusqu'à ce que la douille se verrouille en place. Pour retirer la douille, tirez simplement dessus tout en enfonçant la broche de la tige d'entraînement carrée.

**ATTENTION** : Avant l'utilisation, assurez-vous que la douille est bien verrouillée sur la tige d'entraînement carrée. Une douille mal fixée peut entraîner une blessure.

## Installation du crochet

### Accessoire en option

Le crochet est pratique pour suspendre l'outil. Posez le crochet sur les trous du corps de l'outil.



► 1. Crochet 2. Trou

## UTILISATION

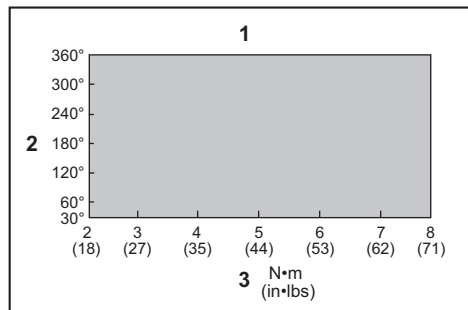
Saisissez fermement l'outil et placez la douille sur le boulon ou l'écrou. Allumez ensuite l'outil. Le moteur s'arrête automatiquement lorsque l'engrenage s'engage. Relâchez ensuite la gâchette.

**NOTE** : Tenez l'outil avec sa tige d'entraînement carrée pointée bien droit sur le boulon ou l'écrou, autrement le boulon ou l'écrou subira des dommages.

## Limites de capacité de serrage

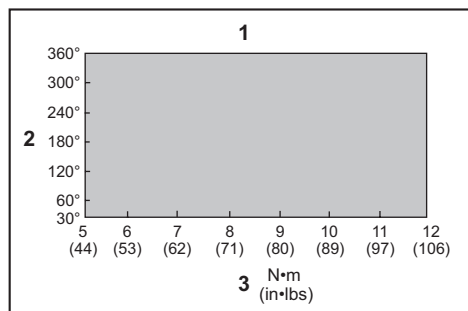
Utilisez l'outil dans les limites de sa capacité de serrage. Si vous dépassez les limites de l'outil, l'engrenage ne fonctionnera pas. Et l'outil ne pourra pas fournir un couple de serrage suffisant.

### Pour le modèle DFL083F



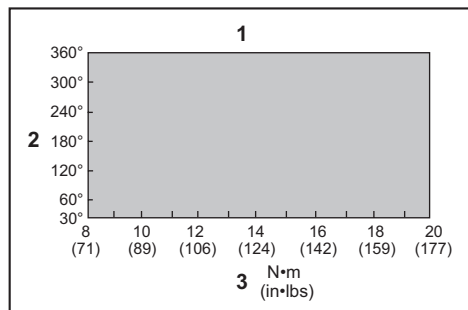
1. Plage de capacité de serrage 2. Angle de rotation  
3. Couple

### Pour le modèle DFL125F



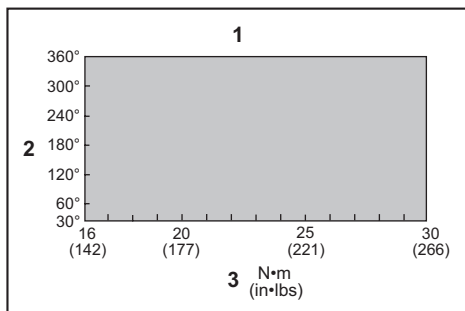
1. Plage de capacité de serrage 2. Angle de rotation  
3. Couple

### Pour le modèle DFL204F



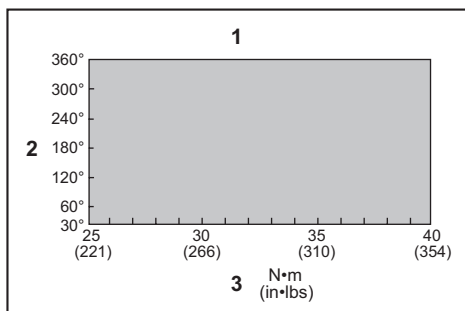
1. Plage de capacité de serrage 2. Angle de rotation  
3. Couple

### Pour le modèle DFL302F



1. Plage de capacité de serrage 2. Angle de rotation  
3. Couple

### Pour le modèle DFL403F



1. Plage de capacité de serrage 2. Angle de rotation  
3. Couple

**NOTE :** L'angle de rotation est l'angle du point où le boulon est serré à 50% du couple désiré au point où le boulon est serré à 100% du couple.

**NOTE :** Lorsqu'une batterie froide est utilisée, elle peut provoquer une mise en garde de charge de la batterie par le voyant DEL et l'avertisseur, et provoquer l'arrêt immédiat de l'outil, même si la batterie est complètement chargée. Le cas échéant, la capacité de serrage peut être inférieure à celle spécifiée dans ce manuel.

## ENTRETIEN

**⚠ ATTENTION :** Assurez-vous toujours que l'outil est hors tension et que la batterie est retirée avant d'y effectuer tout travail d'inspection ou d'entretien.

**AVIS :** N'utilisez jamais d'essence, de benzine, de solvant, d'alcool ou autres produits similaires. Une décoloration, une déformation ou la formation de fissures peuvent en découler.

Pour maintenir la SÉCURITÉ et la FIABILITÉ du produit, les réparations et tout autre travail d'entretien ou de réglage doivent être effectués dans un centre de service après-vente autorisé ou une usine Makita, exclusivement avec des pièces de rechange Makita.

## ACCESSOIRES EN OPTION

**⚠ ATTENTION** : Ces accessoires ou pièces complémentaires sont recommandés pour l'utilisation avec l'outil Makita spécifié dans ce manuel. L'utilisation de tout autre accessoire ou pièce complémentaire peut comporter un risque de blessure. N'utilisez les accessoires ou pièces complémentaires qu'aux fins auxquelles ils ont été conçus.

Si vous désirez obtenir plus de détails sur ces accessoires, veuillez contacter le centre de service après-vente Makita le plus près.

- Chargeur et batterie authentiques Makita
- Dispositif anti-recul
- Protecteur (jaune, bleu, rouge, transparent)
- Poignée de réglage
- Arbre complet
- Câble USB
- Crochet

**NOTE** : Certains éléments de la liste peuvent être inclus avec l'outil comme accessoires standards. Ils peuvent varier suivant les pays.

## GARANTIE LIMITÉE MAKITA

Pour les conditions de garantie en vigueur qui s'appliquent à ce produit, veuillez vous reporter à la feuille de garantie en annexe. Si la feuille de garantie en annexe n'est pas disponible, reportez-vous aux détails de la garantie présentés sur le site Web de votre pays, ci-dessous.

États-Unis d'Amérique: [www.makitatools.com](http://www.makitatools.com)

Canada: [www.makita.ca](http://www.makita.ca)

Autres pays: [www.makita.com](http://www.makita.com)

## ESPECIFICACIONES

Modelo:		DFL083F	DFL125F	DFL204F	DFL302F	DFL403F
Torsión de apriete	Unión fuerte	2 N•m - 8 N•m (18 in•lbs - 71 in•lbs)	5 N•m - 12 N•m (44 in•lbs - 106 in•lbs)	8 N•m - 20 N•m (71 in•lbs - 177 in•lbs)	16 N•m - 30 N•m (142 in•lbs - 266 in•lbs)	25 N•m - 40 N•m (221 in•lbs - 354 in•lbs)
	Unión suave	2 N•m - 8 N•m (18 in•lbs - 71 in•lbs)	5 N•m - 12 N•m (44 in•lbs - 106 in•lbs)	8 N•m - 20 N•m (71 in•lbs - 177 in•lbs)	16 N•m - 30 N•m (142 in•lbs - 266 in•lbs)	25 N•m - 40 N•m (221 in•lbs - 354 in•lbs)
Adaptador cuadrado		9,5 mm (3/8") o 6,35 mm (1/4")		9,5 mm (3/8")		
Velocidad sin carga (RPM) <sup>11</sup>		150 r/min - 700 r/min	100 r/min - 700 r/min	100 r/min - 440 r/min	70 r/min - 230 r/min	50 r/min - 220 r/min
Tensión nominal		14,4 V c.c.				
Longitud total (Dependiendo de la batería)		464 mm - 481 mm (18-1/4" - 19")			503 mm - 520 mm (19-3/4" - 20-1/2")	
Peso neto		1,7 kg - 2,1 kg (3,7 lbs - 4,7 lbs)			2,0 kg - 2,3 kg (4,3 lbs - 5,1 lbs)	
Cable USB compatible		661432-2				

- Debido a nuestro continuo programa de investigación y desarrollo, las especificaciones aquí incluidas están sujetas a cambio sin previo aviso.
- Las especificaciones pueden variar de país a país.
- El peso puede variar en función de los accesorios, incluido el cartucho de batería. En la tabla se muestra la combinación de peso más ligero y más pesado conforme al procedimiento 01/2014 de EPTA.
- <sup>11</sup> La velocidad sin carga es ajustable con una aplicación exclusiva.

### Cartucho de batería y cargador aplicables

Cartucho de batería	BL1415NA / BL1430B / BL1460A
Cargador	DC18RC / DC18RD / DC18SD / DC18SE / DC18SF

- Algunos de los cartuchos de batería y cargadores enumerados arriba podrían no estar disponibles dependiendo de su área de residencia.

**⚠ ADVERTENCIA:** Use únicamente los cartuchos de batería y los cargadores indicados arriba. El uso de cualquier otro cartucho de batería y cargador podría ocasionar una lesión y/o un incendio.

**NOTA:** Este equipo fue sometido a pruebas y se ha comprobado que cumple con los límites para un dispositivo digital Clase A, conforme a lo dispuesto en la parte 15 de las Normas de la FCC. Estos límites están diseñados para proporcionar una protección razonable contra una interferencia dañina cuando el equipo es operado en un entorno comercial. Este equipo genera, usa y puede irradiar energía de radiofrecuencia y, si no se instala y se usa de acuerdo con el manual de instrucciones, puede causar una interferencia dañina a las radiocomunicaciones. La operación de este equipo en un área residencial puede causar una interferencia dañina, en cuyo caso el usuario deberá corregir la interferencia por cuenta propia.

## ADVERTENCIAS DE SEGURIDAD

### Advertencias generales de seguridad para herramientas eléctricas

**⚠ ADVERTENCIA:** Lea todas las advertencias de seguridad, instrucciones, ilustraciones y especificaciones suministradas con esta herramienta eléctrica. El no seguir todas las instrucciones indicadas a continuación podría ocasionar una descarga eléctrica, incendio y/o lesiones graves.

## Conserve todas las advertencias e instrucciones como referencia en el futuro.

En las advertencias, el término "herramienta eléctrica" se refiere a su herramienta eléctrica de funcionamiento con conexión a la red eléctrica (con cableado eléctrico) o herramienta eléctrica de funcionamiento a batería (inalámbrica).

### Seguridad en el área de trabajo

1. **Mantenga el área de trabajo limpia y bien iluminada.** Las áreas oscuras o desordenadas son propensas a accidentes.
2. **No utilice las herramientas eléctricas en atmósferas explosivas, tal como en la presencia de líquidos, gases o polvo inflamables.** Las herramientas eléctricas crean chispas que pueden prender fuego al polvo o los humos.
3. **Mantenga a los niños y curiosos alejados mientras utiliza una herramienta eléctrica.** Las distracciones le pueden hacer perder el control.

### Seguridad eléctrica

1. **Las clavijas de conexión de las herramientas eléctricas deberán encajar perfectamente en la toma de corriente. No modifique nunca la clavija de conexión de ninguna forma. No utilice ninguna clavija adaptadora con herramientas eléctricas que tengan conexión a tierra (puesta a tierra).** La utilización de clavijas no modificadas y que encajen perfectamente en la toma de corriente reducirá el riesgo de que se produzca una descarga eléctrica.
2. **Evite tocar con el cuerpo superficies conectadas a tierra o puestas a tierra tales como tubos, radiadores, cocinas y refrigeradores.** Si su cuerpo es puesto a tierra o conectado a tierra existirá un mayor riesgo de que sufra una descarga eléctrica.
3. **No exponga las herramientas eléctricas a la lluvia ni a condiciones húmedas.** La entrada de agua en una herramienta eléctrica aumentará el riesgo de que se produzca una descarga eléctrica.
4. **No maltrate el cable. Nunca utilice el cable para transportar, jalar o desconectar la herramienta eléctrica. Mantenga el cable alejado del calor, aceite, objetos cortantes o piezas móviles.** Los cables dañados o enredados aumentan el riesgo de sufrir una descarga eléctrica.
5. **Cuando utilice una herramienta eléctrica en exteriores, utilice un cable de extensión apropiado para uso en exteriores.** La utilización de un cable apropiado para uso en exteriores reducirá el riesgo de que se produzca una descarga eléctrica.
6. **Si no es posible evitar usar una herramienta eléctrica en condiciones húmedas, utilice un alimentador protegido con interruptor de circuito de falla a tierra (ICFT).** El uso de un ICFT reduce el riesgo de descarga eléctrica.
7. **Las herramientas eléctricas pueden producir campos electromagnéticos (CEM) que no son dañinos para el usuario.** Sin embargo, si los usuarios tienen marcapasos y otros dispositivos médicos similares, deberán consultar al fabricante de su dispositivo y/o a su médico antes de operar esta herramienta eléctrica.

### Seguridad personal

1. **Manténgase alerta, preste atención a lo que está haciendo y utilice su sentido común cuando opere una herramienta eléctrica. No utilice una herramienta eléctrica cuando esté cansado o bajo la influencia de drogas, alcohol o medicamentos.** Un momento de distracción mientras opera las herramientas eléctricas puede terminar en una lesión grave.
2. **Use equipo de protección personal. Póngase siempre protección para los ojos.** El equipo protector tal como máscara contra el polvo, zapatos de seguridad antiderrapantes, casco rígido y protección para oídos utilizado en las condiciones apropiadas reducirá el riesgo de lesiones.
3. **Impida el encendido accidental. Asegúrese de que el interruptor esté en la posición de apagado antes de conectar a la alimentación eléctrica y/o de colocar el cartucho de batería, así como al levantar o cargar la herramienta.** Cargar las herramientas eléctricas con su dedo en el interruptor o enchufarlas con el interruptor encendido hace que los accidentes sean comunes.
4. **Retire cualquier llave de ajuste o llave de apriete antes de encender la herramienta.** Una llave de ajuste o llave de apriete que haya sido dejada puesta en una parte giratoria de la herramienta eléctrica puede ocasionar alguna lesión.
5. **No utilice la herramienta donde no alcance. Mantenga los pies sobre suelo firme y el equilibrio en todo momento.** Esto permite un mejor control de la herramienta eléctrica en situaciones inesperadas.
6. **Use una vestimenta apropiada. No use ropa suelta ni alhajas. Mantenga el cabello, la ropa y los guantes alejados de las piezas móviles.** Las prendas de vestir holgadas, las alhajas y el cabello largo suelto podrían engancharse en estas piezas móviles.
7. **Si dispone de dispositivos para la conexión de equipos de extracción y recolección de polvo, asegúrese de conectarlos y utilizarlos debidamente.** Hacer uso de la recolección de polvo puede reducir los riesgos relacionados con el polvo.
8. **No permita que la familiaridad adquirida debido al uso frecuente de las herramientas haga que se sienta confiado e ignore los principios de seguridad de las herramientas.** Un descuido podría ocasionar una lesión grave en una fracción de segundo.
9. **Utilice siempre gafas protectoras para proteger sus ojos de lesiones al usar herramientas eléctricas. Las gafas deben cumplir con la Norma ANSI Z87.1 en EUA.** Es responsabilidad del empleador imponer el uso de equipos protectores de seguridad apropiados a los operadores de la herramienta y demás personas cerca del área de trabajo.

### Mantenimiento y uso de la herramienta eléctrica

1. **No fuerce la herramienta eléctrica. Utilice la herramienta eléctrica correcta para su aplicación.** La herramienta eléctrica adecuada hará un mejor trabajo y de forma más segura a la velocidad para la que ha sido fabricada.



2. **No utilice la herramienta eléctrica si el interruptor no la enciende y apaga.** Cualquier herramienta eléctrica que no pueda ser controlada con el interruptor es peligrosa y debe ser reemplazada.
3. **Desconecte la clavija de la fuente de alimentación y/o retire la batería de la herramienta eléctrica, en caso de ser removible, antes de realizar ajustes, cambiar accesorios o almacenar las herramientas eléctricas.** Tales medidas de seguridad preventivas reducirán el riesgo de poner en marcha la herramienta eléctrica de forma accidental.
4. **Guarde la herramienta eléctrica que no use fuera del alcance de los niños y no permita que las personas que no están familiarizadas con ella o con las instrucciones la operen.** Las herramientas eléctricas son peligrosas en manos de personas que no saben operarlas.
5. **Dé mantenimiento a las herramientas eléctricas y los accesorios.** Compruebe que no haya piezas móviles desalineadas o estancadas, piezas rotas y cualquier otra condición que pueda afectar al funcionamiento de la herramienta eléctrica. Si la herramienta eléctrica está dañada, haga que la reparen antes de utilizarla. Muchos de los accidentes son ocasionados por no dar un mantenimiento adecuado a las herramientas eléctricas.
6. **Mantenga las herramientas de corte limpias y filosas.** Si recibe un mantenimiento adecuado y tiene los bordes afilados, es probable que la herramienta se atasque menos y sea más fácil controlarla.
7. **Utilice la herramienta eléctrica, los accesorios y las brocas de acuerdo con estas instrucciones, considerando las condiciones laborales y el trabajo a realizar.** Si utiliza la herramienta eléctrica para realizar operaciones distintas de las indicadas, podrá presentarse una situación peligrosa.
8. **Mantenga los mangos y superficies de asimiento secos, limpios y libres de aceite o grasa.** Los mangos y superficies de asimiento resbalosos no permiten una manipulación segura ni el control de la herramienta en situaciones inesperadas.
9. **Cuando vaya a utilizar esta herramienta, evite usar guantes de trabajo de tela ya que éstos podrían atorarse.** Si los guantes de trabajo de tela llegaran a atorarse en las piezas móviles, esto podría ocasionar lesiones personales.

#### Uso y cuidado de la herramienta a batería

1. **Recargue sólo con el cargador especificado por el fabricante.** Un cargador que es adecuado para un solo tipo de batería puede generar riesgo de incendio al ser utilizado con otra batería.
2. **Utilice las herramientas eléctricas solamente con las baterías designadas específicamente para ellas.** La utilización de cualquier otra batería puede crear un riesgo de lesiones o incendio.
3. **Cuando no se esté usando la batería, manténgala alejada de otros objetos metálicos, como sujetapapeles (clips), monedas, llaves, clavos, tornillos u otros objetos pequeños de metal los cuales pueden actuar creando una conexión entre las terminales de la batería.** Originar un cortocircuito en las terminales puede causar quemaduras o incendios.

4. **En condiciones abusivas, podrá escapar líquido de la batería; evite tocarlo. Si lo toca accidentalmente, enjuague con agua. Si hay contacto del líquido con los ojos, busque asistencia médica.** Puede que el líquido expulsado de la batería cause irritación o quemaduras.
5. **No utilice una herramienta ni una batería que estén dañadas o hayan sido modificadas.** Las baterías dañadas o modificadas podrían ocasionar una situación inesperada provocando un incendio, explosión o riesgo de lesiones.
6. **No exponga la herramienta ni la batería al fuego ni a una temperatura excesiva.** La exposición al fuego o a una temperatura superior a los 130 °C podría causar una explosión.
7. **Siga todas las instrucciones para la carga y evite cargar la herramienta o la batería fuera del rango de temperatura especificado en las instrucciones.** Una carga inadecuada o a una temperatura fuera del rango especificado podría dañar la batería e incrementar el riesgo de incendio.

#### Servicio

1. **Haga que una persona calificada repare la herramienta eléctrica utilizando sólo piezas de repuesto idénticas.** Esto asegura que se mantenga la seguridad de la herramienta eléctrica.
2. **Nunca dé servicio a baterías que estén dañadas.** El servicio a las baterías solamente deberá ser efectuado por el fabricante o un agente de servicio autorizado.
3. **Siga las instrucciones para la lubricación y cambio de accesorios.**
4. **No modifique ni intente reparar el aparato ni el paquete de baterías salvo como se indique en las instrucciones para el uso y cuidado.**

### Advertencias de seguridad para el atornillador inalámbrico

1. **Sujete la herramienta eléctrica por las superficies de asimiento aisladas cuando realice una operación en la que el sujetador pueda entrar en contacto con cableado oculto.** Si el sujetador entra en contacto con un cable con corriente, las piezas metálicas expuestas de la herramienta eléctrica se cargarán también de corriente y el operador podrá recibir una descarga eléctrica.
2. **Asegúrese siempre de pisar sobre suelo firme. Asegúrese de que no haya nadie debajo cuando utilice la herramienta en lugares elevados.**
3. **Sostenga la herramienta con firmeza.**
4. **Mantenga las manos alejadas de las piezas giratorias.**
5. **No toque la punta o la pieza de trabajo inmediatamente después de la operación; podrían estar extremadamente calientes y provocarle quemaduras en la piel.**
6. **Asegure siempre la pieza de trabajo en un tornillo de banco o dispositivo de sujeción similar.**
7. **Asegúrese de que no haya cables eléctricos, tubos de agua, tubos de gas, etc. que pudieran representar un peligro en caso de ser dañados por el uso de la herramienta.**

### GUARDE ESTAS INSTRUCCIONES.

**⚠️ ADVERTENCIA:** NO DEJE que la comodidad o familiaridad con el producto (a base de utilizarlo repetidamente) evite que siga estrictamente las normas de seguridad para dicho producto.

El USO INCORRECTO o el no seguir las normas de seguridad indicadas en este manual de instrucciones puede ocasionar lesiones graves.

## Símbolos

A continuación se muestran los símbolos utilizados para la herramienta.

V	volts o voltios
— — —	corriente directa o continua
$n_s$	velocidad sin carga
... /min r /min	revoluciones o alternaciones por minuto, frecuencia de rotación

## Instrucciones importantes de seguridad para el cartucho de batería

1. Antes de utilizar el cartucho de batería, lea todas las instrucciones e indicaciones de precaución en el (1) el cargador de batería, (2) la batería, y (3) el producto con el que se utiliza la batería.
2. No desarme ni modifique el cartucho de batería. Podría ocurrir un incendio, calor excesivo o una explosión.
3. Si el tiempo de operación se ha acortado en exceso, deje de operar de inmediato. Podría correrse el riesgo de sobrecalentamiento, posibles quemaduras e incluso explosión.
4. En caso de que ingresen electrolitos en sus ojos, enjuáguelos bien con agua limpia y consulte de inmediato a un médico. Esto podría ocasionar pérdida de visión.
5. Evite cortocircuitar el cartucho de batería:
  - (1) No toque las terminales con ningún material conductor.
  - (2) Evite guardar el cartucho de batería en un cajón junto con otros objetos metálicos, tales como clavos, monedas, etc.
  - (3) No exponga el cartucho de batería al agua o la lluvia.Un cortocircuito en la batería puede causar un flujo grande de corriente, sobrecalentamiento, posibles quemaduras e incluso una descompostura.
6. No guarde ni utilice la herramienta y el cartucho de batería en lugares donde la temperatura pueda alcanzar o exceder los 50 °C (122 °F).
7. Nunca incinere el cartucho de batería incluso en el caso de que esté dañado seriamente o ya no sirva en absoluto. El cartucho de batería puede explotar si se tira al fuego.

8. No clave, corte, aplaste, lance o deje caer el cartucho de batería, ni golpee un objeto sólido contra el cartucho de batería. Dicha acción podría resultar en un incendio, calor excesivo o en una explosión.
9. No use una batería dañada.
10. Las baterías de ión de litio están sujetas a los requisitos reglamentarios en materia de bienes peligrosos.

Para el transporte comercial, por ej., mediante terceros o agentes de transporte, se deben tomar en cuenta los requisitos especiales relativos al empaque y el etiquetado.

Para efectuar los preparativos del artículo que se va a enviar, se requiere consultar a un experto en materiales peligrosos. Si es posible, consulte además otras regulaciones nacionales más detalladas.

Pegue o cubra con cinta adhesiva los contactos abiertos y empaque la batería de manera que ésta no pueda moverse dentro del paquete.
11. Para deshacerse del cartucho de batería, sáquelo de la herramienta y deséchelo en un lugar seguro. Siga las regulaciones locales relacionadas al desecho de las baterías.
12. Utilice las baterías únicamente con los productos especificados por Makita. Instalar las baterías en productos que no cumplan con los requisitos podría ocasionar un incendio, un calentamiento excesivo, una explosión o una fuga de electrolito.
13. Si no se utiliza la herramienta por un periodo largo, debe extraerse la batería de la herramienta.
14. El cartucho de batería podría absorber calor durante y después de su uso, lo que ocasionaría quemaduras o quemaduras a baja temperatura. Tenga cuidado con la manipulación de los cartuchos de batería que estén calientes.
15. No toque el terminal de la herramienta inmediatamente después de su uso, ya que el mismo podría estar lo suficientemente caliente como para provocarle quemaduras.
16. No permita que las rebabas, el polvo o la tierra queden atrapados en los terminales, orificios y ranuras del cartucho de batería. Esto podría ocasionar un desempeño deficiente o descompostura de la herramienta o del cartucho de batería.
17. No utilice el cartucho de batería cerca de cables eléctricos de alto voltaje, a menos que la herramienta sea compatible con el uso cercano a estos cables eléctricos de alto voltaje. Esto podría ocasionar una avería o descompostura de la herramienta o del cartucho de batería.
18. Mantenga la batería alejada de los niños.

## GUARDE ESTAS INSTRUCCIONES.

**⚠️ PRECAUCIÓN:** Utilice únicamente baterías originales de Makita. El uso de baterías no originales de Makita, o de baterías alteradas, puede ocasionar que las baterías exploten causando un incendio, lesiones personales y daños. Asimismo, esto invalidará la garantía de Makita para la herramienta y el cargador Makita.

## Consejos para alargar al máximo la vida útil de la batería

1. Cargue el cartucho de batería antes de que se descargue completamente. Pare siempre la operación y cargue el cartucho de batería cuando note menos potencia en la herramienta.
2. No cargue nunca un cartucho de batería que esté completamente cargado. La sobrecarga acortará la vida de servicio de la batería.
3. Cargue el cartucho de batería a una temperatura ambiente de 10 °C - 40 °C (50 °F - 104 °F). Si un cartucho de batería está caliente, déjelo enfriar antes de cargarlo.
4. Cuando no utilice el cartucho de batería, sáquelo de la herramienta o del cargador.
5. Cargue el cartucho de batería si no va a utilizarlo durante un período prolongado (más de seis meses).

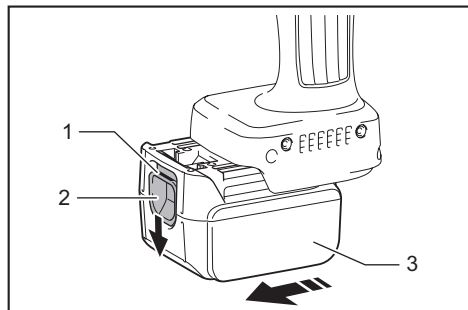
## DESCRIPCIÓN DEL FUNCIONAMIENTO

**⚠️ PRECAUCIÓN:** Asegúrese siempre de que la herramienta esté apagada y el cartucho de batería haya sido extraído antes de realizar cualquier ajuste o comprobación en la herramienta.

### Instalación o extracción del cartucho de batería

**⚠️ PRECAUCIÓN:** Apague siempre la herramienta antes de colocar o quitar el cartucho de batería.

**⚠️ PRECAUCIÓN:** Sujete la herramienta y el cartucho de la batería con firmeza al colocar o quitar el cartucho de batería. Si no se sujeta con firmeza la herramienta y el cartucho de batería, puede ocasionar que se resbalen de sus manos causando daños a la herramienta y al cartucho de batería, así como lesiones a la persona.



► 1. Indicador rojo 2. Botón 3. Cartucho de batería

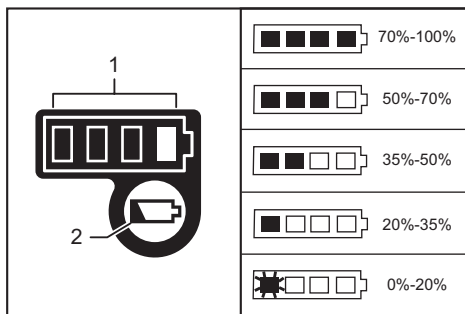
Para quitar el cartucho de batería, deslícelo de la herramienta mientras desliza el botón sobre la parte delantera del cartucho.

Para instalar el cartucho de batería, alinee la lengüeta sobre el cartucho de batería con la ranura en la carcasa y deslícela hasta su lugar. Insértelo por completo hasta que se fije en su lugar con un pequeño clic. Si puede ver el indicador rojo como se muestra en la ilustración, este no ha quedado asegurado por completo.

**⚠️ PRECAUCIÓN:** Introduzca siempre completamente el cartucho de batería hasta que el indicador rojo no pueda verse. Si no, podría accidentalmente salirse de la herramienta y caer al suelo causando una lesión a usted o alguien a su alrededor.

**⚠️ PRECAUCIÓN:** No instale el cartucho de batería a la fuerza. Si el cartucho no se desliza al interior fácilmente, se debe a que no está siendo insertado correctamente.

## Verificación de la capacidad de carga restante de la batería. (BL1460A)



► 1. Luces indicadoras 2. Botón de verificación

**NOTA:** Dependiendo de las condiciones de uso y la temperatura ambiente, la indicación podrá diferir ligeramente de la capacidad real.

## Durante la carga

Quando se inicia la carga, la primera luz indicadora (la última de la izquierda) comienza a destellar. Luego, a medida que la carga avanza, las otras luces se van encendiendo de a una indicando que se va completando la capacidad de carga.

**NOTA:** Si la luz indicadora no se enciende ni parpadea durante la carga, la batería podría estar defectuosa. En este caso, consulte al centro de servicio de su localidad.

## Durante el uso

Quando la herramienta se encienda, las luces se iluminarán para indicar la capacidad restante de la batería. Quando la herramienta se apague, la luz se apagará aproximadamente 5 segundos después.

Al oprimir el botón de verificación con la herramienta apagada, las luces indicadoras se encenderán durante aproximadamente 5 segundos para mostrar la capacidad de la batería. Cuando la luz naranja parpadee, la herramienta se detendrá debido a la poca capacidad restante de la batería (mecanismo de parada automática). En este momento, cargue el cartucho de batería o utilice un cartucho de batería cargado.

Si la herramienta se usa con una batería que no haya sido utilizada durante un tiempo prolongado, podría ser que ninguna de las luces se iluminara al momento de encenderla. En este momento, la herramienta se detendrá debido a la poca capacidad restante de la batería. Cargue la batería correctamente.

## Sistema de protección para la herramienta/batería

La herramienta está equipada con un sistema de protección de la herramienta/batería. Este sistema corta en forma automática el suministro de energía al motor para prolongar la vida útil de la herramienta y la batería. La herramienta se detendrá automáticamente durante la operación si la herramienta o la batería se someten a una de las siguientes condiciones:

### Protección contra sobrecarga

Cuando la herramienta/batería sea operada de tal forma que cause que use una cantidad de corriente anormalmente alta, la herramienta se detendrá automáticamente. En esta situación, apague la herramienta y detenga la aplicación que haya causado que la herramienta se sobrecargara. Luego encienda la herramienta para reiniciarla.

### Protección contra sobrecalentamiento

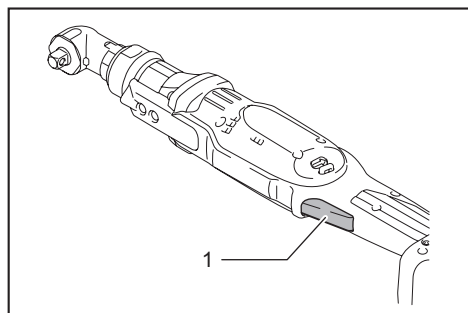
Cuando la herramienta/batería se sobrecaliente, la herramienta se detendrá automáticamente. En este caso, permita que la herramienta/batería se enfríe antes de volver a encender la herramienta.

### Protección en caso de sobredescarga

Cuando la capacidad de la batería no es suficiente, la herramienta se detiene automáticamente. En este caso, retire la batería de la herramienta y cárguela.

## Accionamiento del interruptor

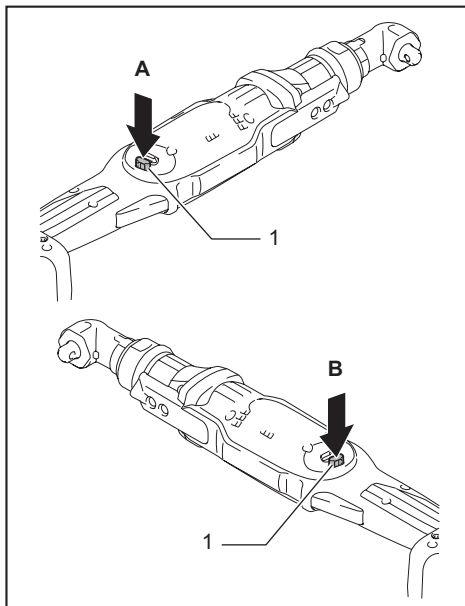
**⚠️ ADVERTENCIA:** Antes de insertar el cartucho de batería en la herramienta, compruebe siempre y cerciórese de que el gatillo interruptor se acciona debidamente y que vuelve a la posición "OFF" (apagado) cuando lo suelta.



► 1. Gatillo interruptor

Para arrancar la herramienta, simplemente jale el gatillo interruptor. Para detenerla, suelte el gatillo interruptor.

## Accionamiento del conmutador de inversión de giro



► 1. Palanca del interruptor de inversión

**⚠️ PRECAUCIÓN:** Confirme siempre la dirección de rotación antes de la operación.

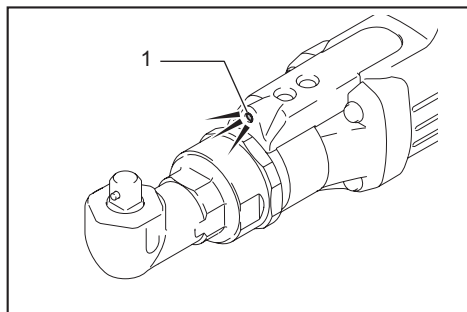
**⚠️ PRECAUCIÓN:** Utilice el conmutador de inversión solamente después de que la herramienta haya parado completamente. Si cambia la dirección de rotación antes de que la herramienta haya parado podría dañarla.

**⚠️ PRECAUCIÓN:** Cuando no esté utilizando la herramienta, ponga siempre la palanca del conmutador de inversión en la posición neutral.

Esta herramienta tiene un conmutador de inversión para cambiar la dirección de rotación. Presione la palanca del conmutador de inversión desde el lado A para una rotación en sentido de las manecillas del reloj o desde el lado B, para una rotación en sentido inverso al de las manecillas del reloj.

Cuando la palanca del conmutador de inversión esté en la posición neutral, no se podrá jalar el gatillo conmutador.

## Iluminación de la luz delantera



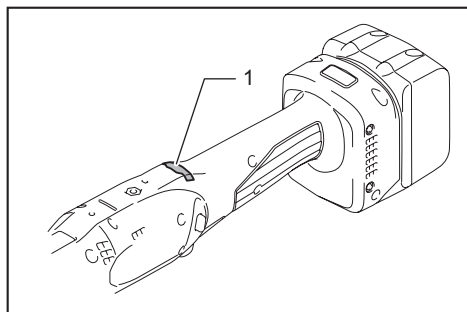
► 1. Luz

**PRECAUCIÓN:** No mire a la luz ni vea a la fuente de luz directamente.

Jale el gatillo interruptor para encender la luz. La luz continúa iluminándose mientras se está jalando el gatillo interruptor. La luz se apaga aproximadamente 10 segundos tras haber liberado el gatillo interruptor.

**NOTA:** Utilice un paño seco para quitar la suciedad de la lente de la lámpara. Tenga cuidado de no rayar la lente de la lámpara ya que la iluminación podría disminuir.

## Indicador LED/alerta sonora



► 1. Indicador LED

El indicador LED/alerta sonora en la herramienta muestra las siguientes funciones.

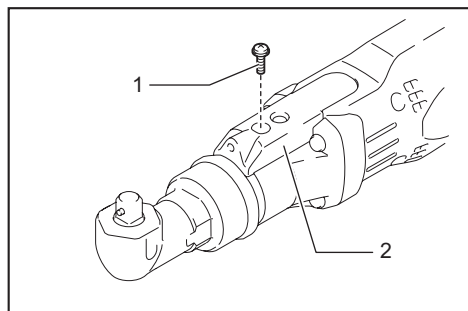
Función	Estado de la herramienta	Estado del indicador LED/alerta sonora		Acción a tomar
		Indicador LED	Alerta sonora	
Verificación del funcionamiento del indicador LED, la luz y la alerta sonora	Cuando el cartucho de batería ha sido instalado, la herramienta verifica el funcionamiento del indicador LED, la luz y la alerta sonora.	Primero se ilumina en verde y después en rojo. (Y luego la luz se enciende.)	Emite una serie de pitidos muy cortos.	-
Detección del funcionamiento del gatillo interruptor cuando se instala la batería	Cuando el cartucho de batería ha sido instalado habiendo jalado el gatillo interruptor, la herramienta se detiene para evitar un arranque accidental.	Parpadea en rojo y en verde de manera alterna.	Emite una serie de pitidos cortos.	Suelte el gatillo interruptor.
Alto automático con apriete efectuado	La torsión de apriete preconfigurada se ha alcanzado y la herramienta se ha detenido.	Se ilumina en verde durante aproximadamente un segundo.	-	-
Alarma de apriete insuficiente	La torsión de apriete preconfigurada no se ha alcanzado debido a que el gatillo interruptor se ha soltado antes de efectuarse el apriete.	Se ilumina en rojo.	Emite un pitido largo.	Vuelva a apretar el tornillo.
Detección de doble impacto	Cuando el operador comienza a apretar de nuevo un tornillo que ya había sido apretado, la herramienta lo detecta y se detiene.	Se ilumina en rojo.	Emite un pitido largo.	-

Función	Estado de la herramienta	Estado del indicador LED/alerta sonora		Acción a tomar
		Indicador LED	Alerta sonora	
Alarma de capacidad baja de la batería	La potencia de la batería se ha reducido y es momento de reemplazar el cartucho de batería.	Parpadea en rojo lentamente.	Emite una serie de pitidos largos.	Reemplace la batería con una totalmente cargada.
Alto automático con baja capacidad restante de la batería	La potencia de la batería se ha agotado casi por completo y la herramienta se ha detenido.	Se ilumina en rojo.	Emite un pitido largo.	Reemplace la batería con una totalmente cargada.
Antirrestablecimiento del controlador	El voltaje de la batería se ha reducido de manera anormal por alguna razón y la herramienta se ha detenido.	Parpadea en rojo y en verde de manera alterna.	Emite una serie de pitidos cortos.	Reemplace la batería con una totalmente cargada.
Protección contra sobrecalentamiento	El controlador de la herramienta se ha calentado de manera anormal y la herramienta se ha detenido.	Parpadea en rojo rápidamente.	Emite una serie de pitidos cortos.	Retire el cartucho de batería inmediatamente y deje enfriar la herramienta.
Detección de fallas del motor	Se ha detectado una falla del motor. En este momento la herramienta deja de funcionar.	Parpadea en rojo y en verde de manera alterna.	Emite una serie de pitidos cortos.	Solicite la reparación en el centro de servicio Makita de su localidad.
Alarma de mantenimiento	Indica que debe realizarse el mantenimiento de acuerdo con el número preconfigurado de tornillos atornillados.	Parpadea en amarillo.	-	Vuelva a configurar la alarma con el programa de la aplicación.
Alarma de comunicación de datos no disponible (con la herramienta conectada a una PC)	No puede realizarse el intercambio de datos entre la herramienta y la PC a pesar de estar conectadas.	Parpadea en amarillo.	-	Reinicie el programa de la aplicación y vuelva a conectar el cable USB.
Indicación de que la comunicación de datos está disponible (con la herramienta conectada a una PC)	La herramienta está conectada a una PC y la comunicación de datos está disponible.	Parpadea en verde.	-	-

## Ajuste de la torsión de apriete

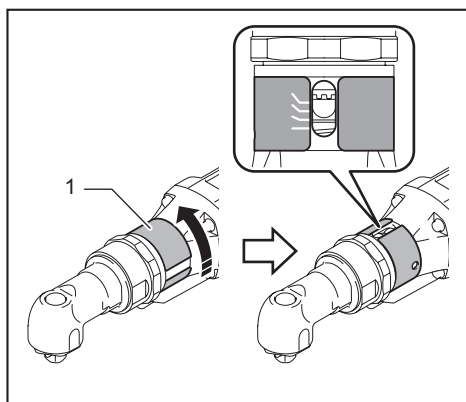
Cuando desee atornillar tornillos de máquina, pernos hexagonales, etc. con la torsión predeterminada, ajuste la torsión de apriete tal como se indica a continuación.

1. Extraiga primero el cartucho de batería de la herramienta.
2. Afloje y retire el tornillo que asegura el anillo y la cubierta de la lámpara.



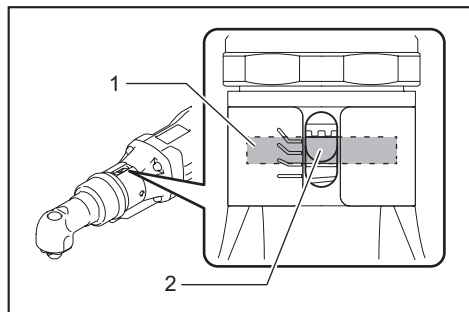
► 1. Tornillo 2. Cubierta de la lámpara

3. Gire manualmente el anillo en la parte delantera de la herramienta de manera que se pueda ver un orificio debajo del anillo.



► 1. Anillo

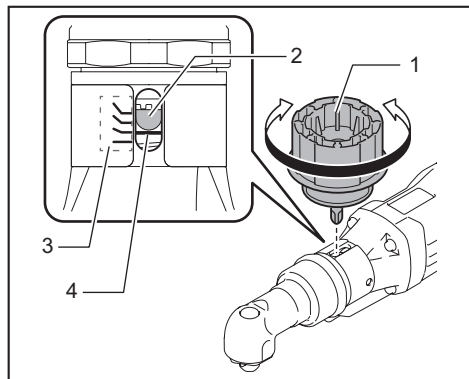
4. Instale el cartucho de batería en su lugar. Jale el gatillo interruptor y suéltelo de manera que el anillo de ajuste gire y se pueda ver el orificio. Luego extraiga el cartucho de batería.



► 1. Anillo de ajuste 2. Orificio para la manija de ajuste

5. Utilice una manija de ajuste opcional para ajustar la torsión de apriete. Inserte el pasador de la manija de ajuste en el orificio en la parte delantera de la herramienta. Y luego gire la manija de ajuste en el sentido de las manecillas del reloj para ajustar una torsión de apriete mayor, y en sentido inverso al de las manecillas del reloj para ajustar una torsión de apriete menor.

6. Alinee la línea amarilla con el número deseado en la escala de torsión de apriete.



► 1. Manija de ajuste 2. Orificio para la manija de ajuste 3. Escala 4. Línea amarilla

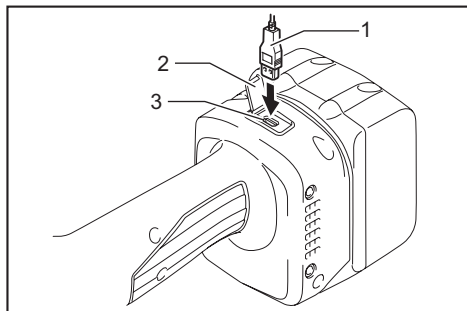
7. Inserte el cartucho de batería y asegúrese de haber configurado una torsión de apriete usando un comprobador de torsión de apriete.

8. Gire el anillo en la parte delantera de la herramienta y luego apriete el tornillo para asegurar el anillo y la cubierta de la lámpara.

**NOTA:** Los números en la escala de torsión de apriete sirven de guía para configurar la torsión de apriete deseada.

## Ajuste de la velocidad sin carga, el ángulo de revolución, etc.

Usted puede ajustar la velocidad sin carga, el número de giros, etc. de la herramienta con su computadora. Instale el programa de la aplicación en su computadora y conéctela a la herramienta con un cable USB.



► 1. Cable USB 2. Cubierta USB 3. Puerto USB

**AVISO:** Asegúrese de que la cubierta USB esté cerrada cuando vaya a efectuar el apriete.

**NOTA:** Utilice el cable USB original de Makita para conectar su computadora a la herramienta. Consulte la sección "ESPECIFICACIONES".

**NOTA:** Para lo relativo al programa de la aplicación, póngase en contacto con un representante de ventas de Makita.

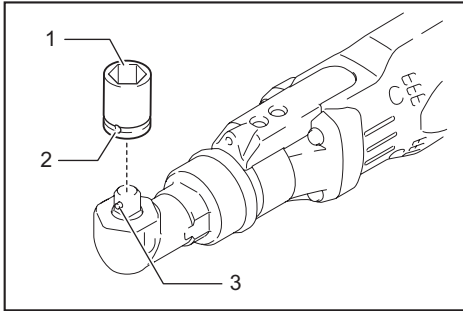
## MONTAJE

**PRECAUCIÓN:** Asegúrese siempre de que la herramienta esté apagada y el cartucho de batería haya sido extraído antes de realizar cualquier trabajo en la misma.

## Cómo seleccionar el dado correcto

Existen diferentes tipos de dados para ciertos modelos en función de las aplicaciones. Elija e instale el dado correcto para su aplicación.

## Instalación o extracción del dado



► 1. Dado 2. Orificio 3. Pasador

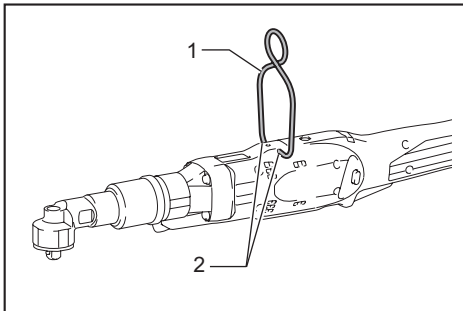
Para instalar el dado, empujelo en el adaptador cuadrado de la herramienta con una mano presionando un pasador en el adaptador cuadrado con la otra mano hasta que quede asegurado en su lugar. Para extraer el dado, simplemente jálelo hacia afuera presionando el pasador en el adaptador cuadrado.

**⚠PRECAUCIÓN:** Antes de la operación, asegúrese de que el dado haya quedado correctamente asegurado en el adaptador cuadrado. El no fijar por completo el dado podría ocasionar una lesión.

## Instalación del gancho

### Accesorio opcional

El gancho resulta útil para colgar la herramienta. Instale el gancho en los orificios del cuerpo de la herramienta.



► 1. Gancho 2. Orificio

## OPERACIÓN

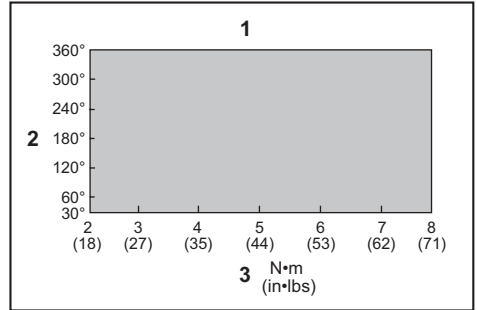
Sujete firmemente la herramienta y ponga el dado sobre el perno o la tuerca. Luego encienda la herramienta. Una vez que el embrague se accione, el motor se detendrá automáticamente. Luego suelte el gatillo interruptor.

**NOTA:** Sujete la herramienta con su adaptador cuadrado orientado en forma recta hacia el perno o tuerca; de lo contrario, el perno o tuerca podrían dañarse.

## Límites de la capacidad de apriete

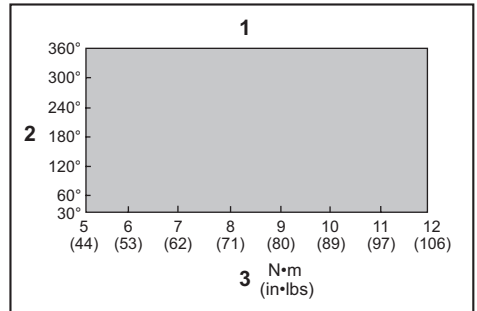
Utilice la herramienta dentro de los límites de la capacidad de apriete. Si utiliza la herramienta más allá de los límites, el embrague no funcionará. Y la herramienta no podrá proporcionar una torsión de apriete suficiente.

### Para el modelo DFL083F



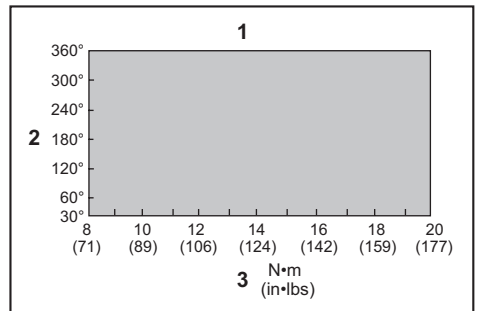
1. Rango de la capacidad de apriete 2. Ángulo de rotación 3. Torsión

### Para el modelo DFL125F



1. Rango de la capacidad de apriete 2. Ángulo de rotación 3. Torsión

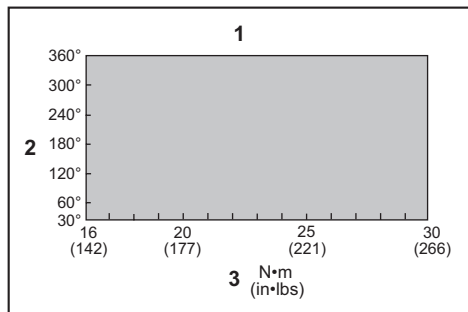
### Para el modelo DFL204F



1. Rango de la capacidad de apriete 2. Ángulo de rotación 3. Torsión

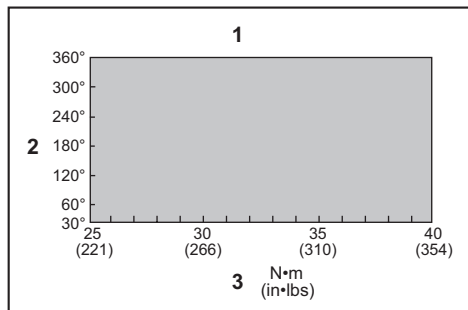


## Para el modelo DFL302F



1. Rango de la capacidad de apriete 2. Ángulo de rotación 3. Torsiión

## Para el modelo DFL403F



1. Rango de la capacidad de apriete 2. Ángulo de rotación 3. Torsiión

**NOTA:** El ángulo de rotación se refiere al ángulo desde el punto en el que el perno es apretado al 50% de la torsiión deseada hasta el punto en que es apretado al 100% de la torsiión deseada.

**NOTA:** El uso de un cartucho de batería frío podría emitir una advertencia sobre la capacidad de la batería mediante el indicador LED y la alerta sonora, deteniendo la herramienta de inmediato aun estando totalmente cargado. En este caso, la capacidad de apriete podría ser inferior a la especificada en este manual.

## MANTENIMIENTO

**PRECAUCIÓN:** Asegúrese siempre de que la herramienta esté apagada y el cartucho de batería extraído antes de intentar realizar una inspección o mantenimiento.

**AVISO:** Nunca use gasolina, bencina, diluyente (tíner), alcohol o sustancias similares. Puede que esto ocasione grietas o descoloramiento.

Para mantener la SEGURIDAD y FIABILIDAD del producto, las reparaciones, y cualquier otra tarea de mantenimiento o ajuste deberán ser realizadas en centros de servicio autorizados o de fábrica Makita, empleando siempre repuestos Makita.

## ACCESORIOS OPCIONALES

**PRECAUCIÓN:** Estos accesorios o aditamentos están recomendados para utilizarse con su herramienta Makita especificada en este manual. El empleo de cualquier otro accesorio o aditamento puede conllevar el riesgo de lesiones personales. Utilice los accesorios o aditamentos solamente para su fin establecido.

Si necesita cualquier ayuda para más detalles en relación con estos accesorios, pregunte a su centro de servicio local Makita.

- Batería y cargador originales de Makita
- Accesorio contra retrocesos bruscos
- Protector (amarillo, azul, rojo, transparente)
- Manija de ajuste
- Eje completo
- Cable USB
- Gancho

**NOTA:** Algunos de los artículos en la lista pueden incluirse en el paquete de la herramienta como accesorios estándar. Éstos pueden variar de país a país.

## GARANTÍA LIMITADA DE MAKITA

### Ésta Garantía no aplica para México

Consulte la hoja de la garantía anexa para ver los términos más vigentes de la garantía aplicable a este producto. En caso de no disponer de esta hoja de garantía anexa, consulte los detalles sobre la garantía descritos en el sitio web de su país respectivo indicado a continuación.

Estados Unidos de América: [www.makitatools.com](http://www.makitatools.com)

Canadá: [www.makita.ca](http://www.makita.ca)

Otros países: [www.makita.com](http://www.makita.com)





< USA only >

# WARNING

Some dust created by power sanding, sawing, grinding, drilling, and other construction activities contains chemicals known to the State of California to cause cancer, birth defects or other reproductive harm. Some examples of these chemicals are:

- lead from lead-based paints,
- crystalline silica from bricks and cement and other masonry products, and
- arsenic and chromium from chemically-treated lumber.

Your risk from these exposures varies, depending on how often you do this type of work. To reduce your exposure to these chemicals: work in a well ventilated area, and work with approved safety equipment, such as those dust masks that are specially designed to filter out microscopic particles.

< Sólo en los Estados Unidos >

# ADVERTENCIA

Algunos polvos creados por el lijado, aserrado, esmerilado, taladrado y otras actividades de la construcción contienen sustancias químicas reconocidas por el Estado de California como causantes de cáncer, defectos de nacimiento y otros peligros de reproducción. Algunos ejemplos de estos productos químicos son:

- plomo de pinturas a base de plomo,
- sílice cristalino de ladrillos y cemento y otros productos de albañilería, y
- arsénico y cromo de maderas tratadas químicamente.

El riesgo al que se expone varía, dependiendo de la frecuencia con la que realice este tipo de trabajo. Para reducir la exposición a estos productos químicos: trabaje en un área bien ventilada y póngase el equipo de seguridad indicado, tal como las máscaras contra polvo que están especialmente diseñadas para filtrar partículas microscópicas.

**Makita Corporation**

3-11-8, Sumiyoshi-cho,  
Anjo, Aichi 446-8502 Japan

[www.makita.com](http://www.makita.com)

885627A942  
DFL083F-1  
EN, FRCA, ESMX  
20210319